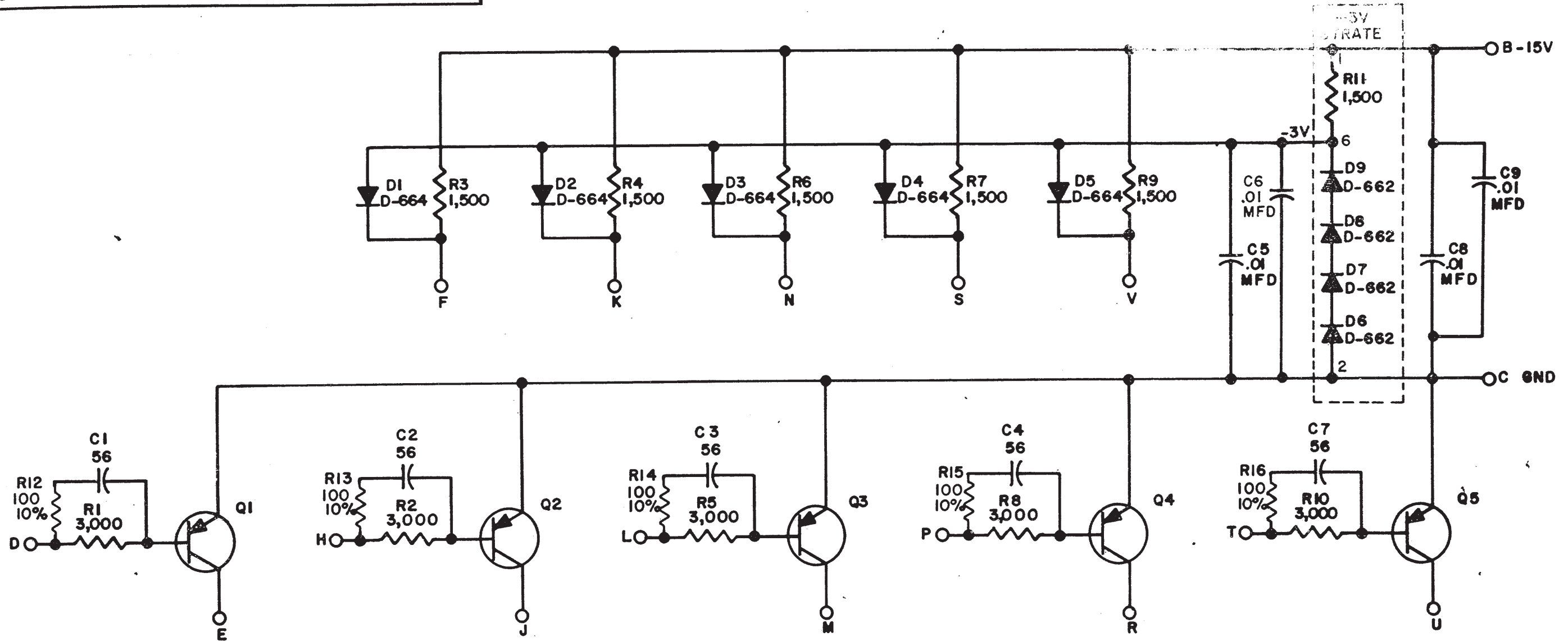


THIS SCHEMATIC IS FURNISHED ONLY FOR TEST AND MAINTENANCE PURPOSES. THE CIRCUITS ARE PROPRIETARY IN NATURE AND SHOULD BE TREATED ACCORDINGLY. COPYRIGHT 1964 BY DIGITAL EQUIPMENT CORPORATION



UNLESS OTHERWISE INDICATED:  
 RESISTORS ARE 1/4W; 5%  
 CAPACITORS ARE MMFD  
 TRANSISTORS ARE DEC 2894-1B



REVISIONS	CHK	CHG NO.	REV.
	DAW	5269	3
	REV & REDR.	5381	E

DRN. H PORTER	DATE 4-29-64
CHK'D N PERRYMAN	DATE 5-4-64
ENG. B SCUDNEY	DATE 5-4-64
PROD.	DATE

TRANSISTOR & DIODE CONVERSION CHART	
DEC	EIA
DEC2894-1B	NONE
D662	1N645
D664	1N3606

<b>digital</b>		EQUIPMENT CORPORATION		MAYNARD, MASSACHUSETTS	
----------------	--	-----------------------	--	------------------------	--

SIZE B	CODE CS	NUMBER BI05-0-1	REV. E
-----------	------------	--------------------	-----------

TITLE INVERTER BI05			
PRINTED CIRCUIT REV. D			