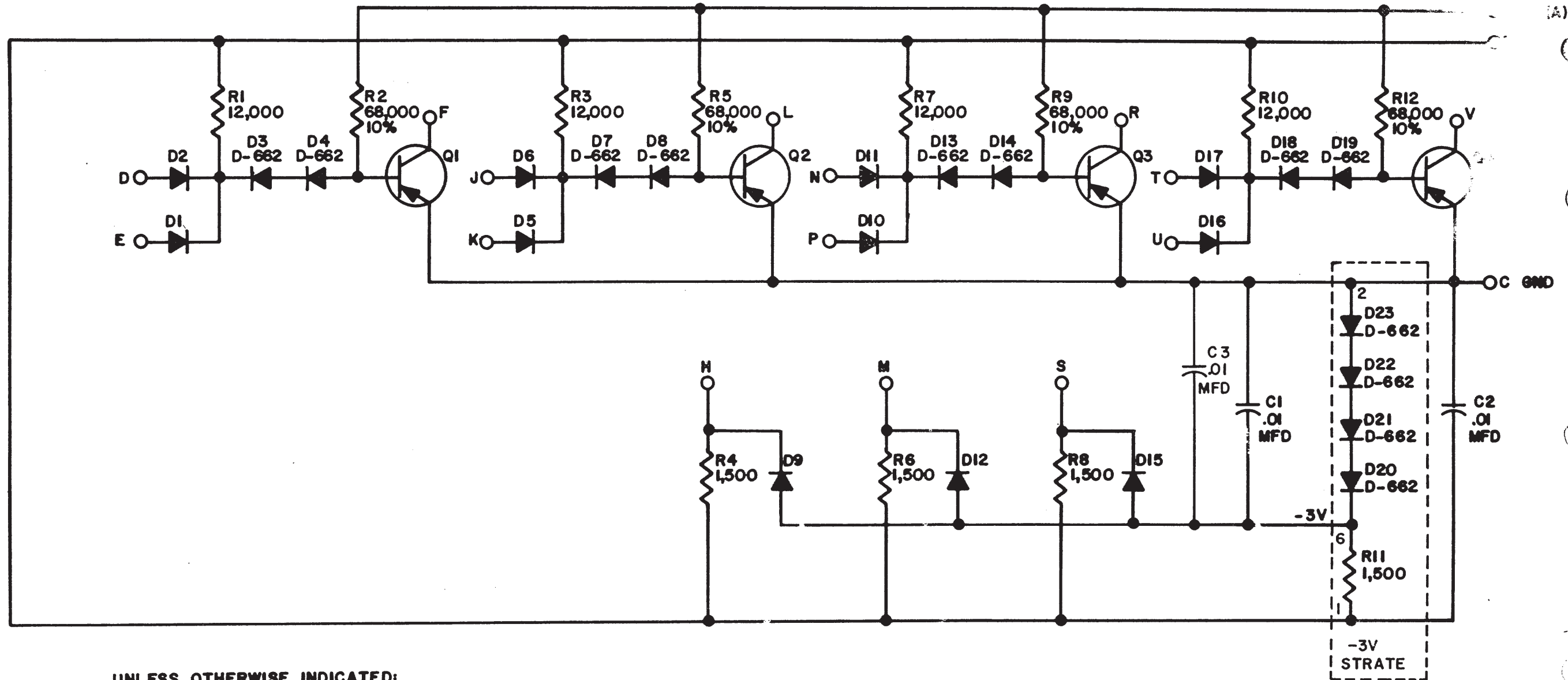


THIS SCHEMATIC IS FURNISHED ONLY FOR TEST AND MAINTENANCE PURPOSES. THE CIRCUITS ARE PROPRIETARY IN NATURE AND SHOULD BE TREATED ACCORDINGLY. COPYRIGHT 1964 BY DIGITAL EQUIPMENT CORPORATION

REV U NUMBER SIZE CODE



UNLESS OTHERWISE INDICATED:
RESISTORS ARE 1/4W; 5%
TRANSISTORS ARE DEC2894-1B
DIODES ARE D-664



REVISIONS	CHK	CHG NO.	REV.
	DAW	5270	2
	REV. & REDR.	5387	C
	5674		D

DRN. H. PORTER	DATE 4-29-64
CHK'D N. PERRYMAN	DATE 5-4-64
ENG. B. SCUDNEY	DATE 5-4-64
PROD.	DATE

TRANSISTOR & DIODE CONVERSION CHART			
DEC	EIA	DEC	EIA
DEC 2894-1B	NONE		
D662	IN645		
D664	IN3606		

digital
EQUIPMENT CORPORATION
MAYNARD, MASSACHUSETTS

TITLE DIODE GATE B113			
SIZE B	CODE CS	NUMBER B113-0-1	REV. D
PRINTED CIRCUIT REV. C			