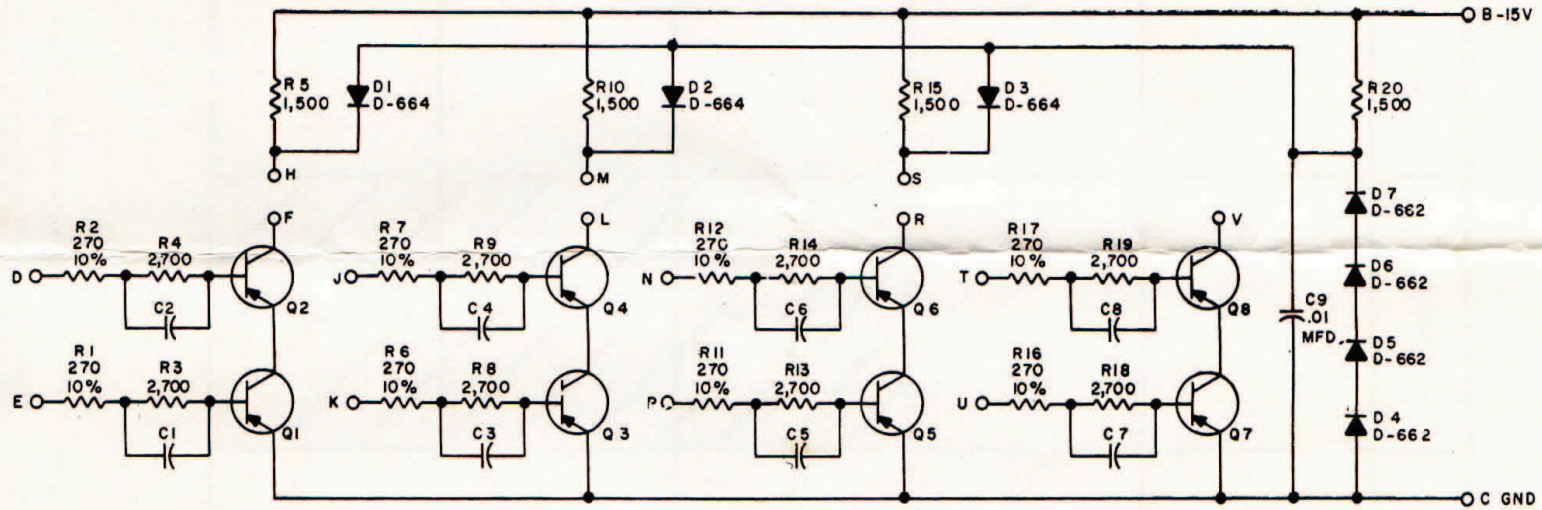


RS-B-B123



UNLESS OTHERWISE INDICATED:
 CAPACITORS ARE 56 MMFD
 RESISTORS ARE 1/4W, 5%
 TRANSISTORS ARE DEC 2894-1

TRANSISTOR & DIODE CONVERSION CHART			
DEC	EIA	DEC	EIA
D-662	IN 645		
D-664	IN 3606		
DEC 2894-1	NONE		

NOTES

THIS SCHEMATIC IS FURNISHED ONLY FOR TEST AND MAINTENANCE PURPOSES. THE CIRCUITS ARE PROPRIETARY IN NATURE AND SHOULD BE TREATED ACCORDINGLY.

COPYRIGHT 1966 BY DIGITAL EQUIPMENT CORPORATION

0 1 2 3 4 5 6 7 8 9 A B C D E F G H I J K L M N O P Q R S T U V W X Y Z

A RS-B-B123

INVERTER B123

DIGITAL EQUIPMENT CORPORATION • MAYNARD, MASSACHUSETTS