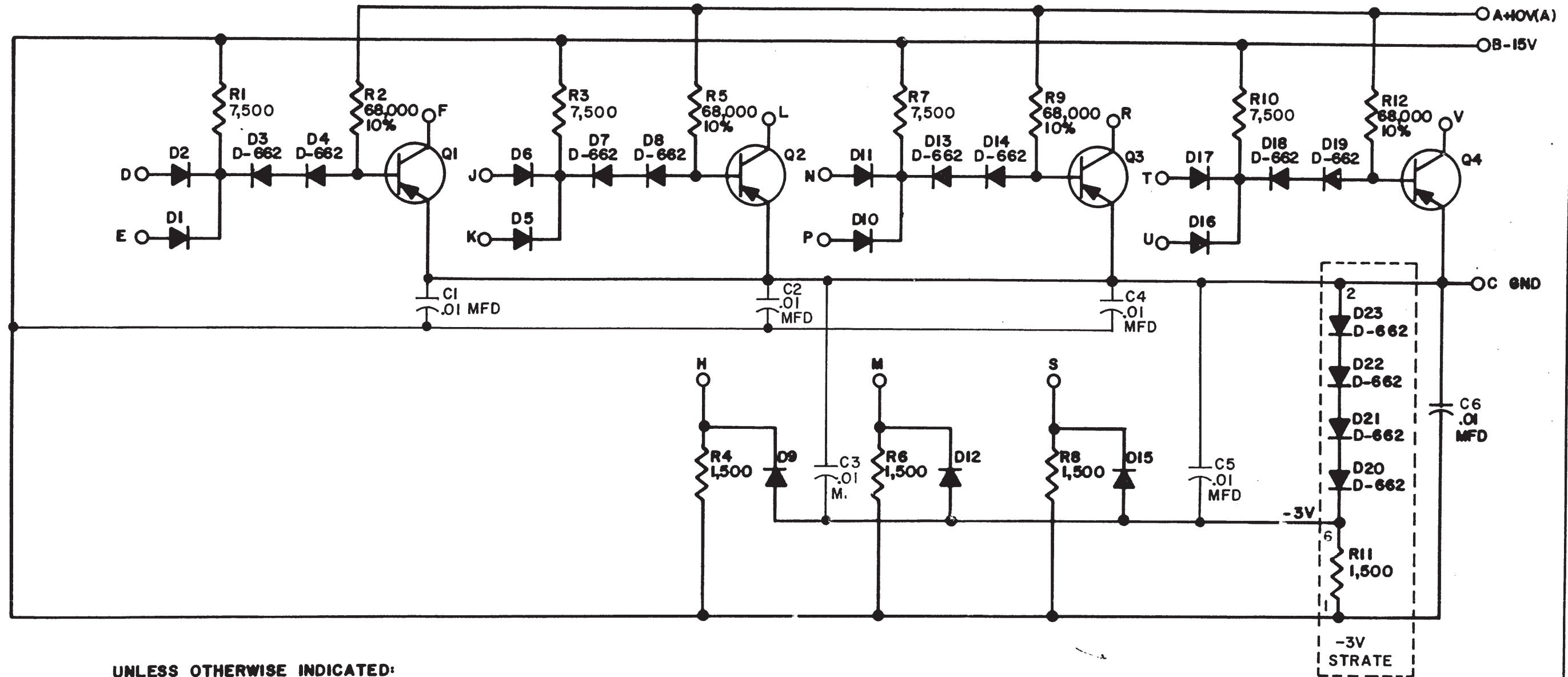


THIS SCHEMATIC IS FURNISHED ONLY FOR TEST AND MAINTENANCE PURPOSES. THE CIRCUITS ARE PROPRIETARY IN NATURE AND SHOULD BE TREATED ACCORDINGLY. COPYRIGHT 1966 BY DIGITAL EQUIPMENT CORPORATION



UNLESS OTHERWISE INDICATED:  
 RESISTORS ARE 1/4W; 5%  
 TRANSISTORS ARE 2N4258  
 DIODES ARE D-664

USE THE ETCH BOARD OF THE BI13



REVISIONS	CHK	CHG NO	REV
		5658	A
		5918	B

DRN	DATE
<i>[Signature]</i>	<i>[Date]</i>
CHK'D	DATE
<i>[Signature]</i>	<i>[Date]</i>
ENG.	DATE
<i>[Signature]</i>	<i>[Date]</i>
PROD.	DATE

TRANSISTOR & DIODE CONVERSION CHART			
DEC	EIA	DEC	EIA
2N4258	2N4258		
D662	1N645		
D664	1N3606		

**digital**  
 EQUIPMENT CORPORATION  
 MAYNARD, MASSACHUSETTS

TITLE			
DIODE GATE BI33			
SIZE	CODE	NUMBER	REV.
B	CS	BI33-0-1	B
PRINTED CIRCUIT REV			C