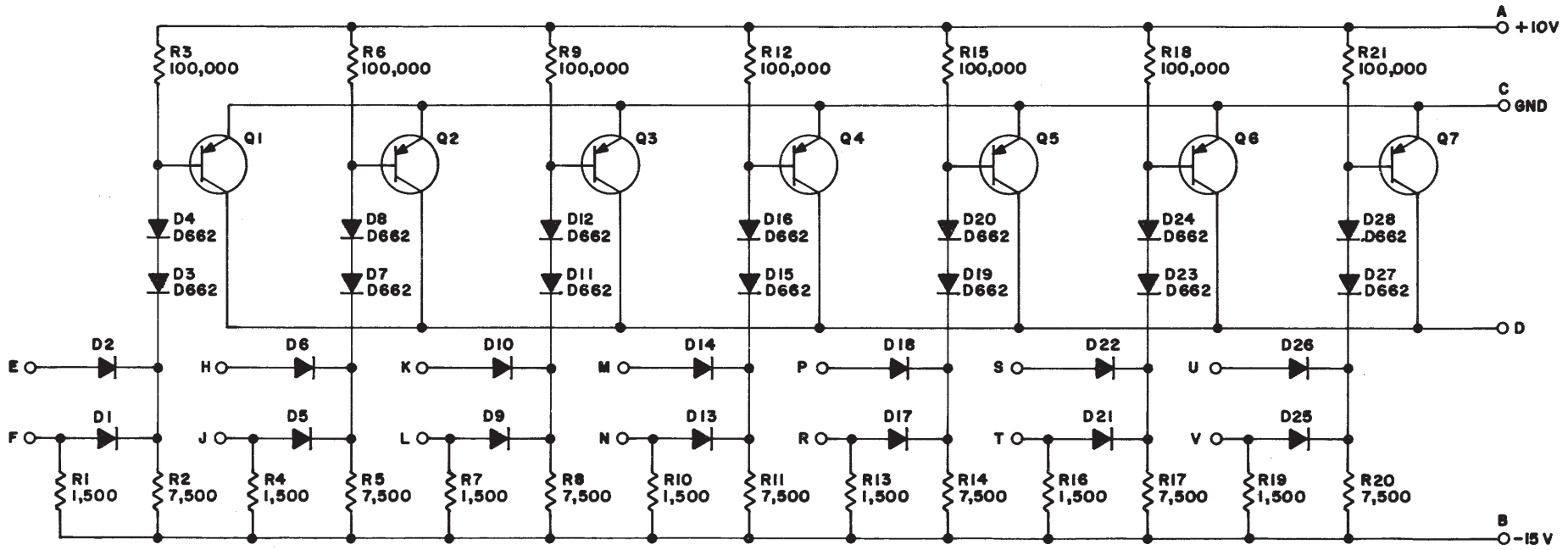


REV. NUMBER B142-0-1

THIS SCHEMATIC IS FURNISHED ONLY FOR TEST AND MAINTENANCE PURPOSES. THE CIRCUITS ARE PROPRIETARY IN NATURE AND SHOULD BE TREATED ACCORDINGLY. COPYRIGHT 1967 BY DIGITAL EQUIPMENT CORPORATION



UNLESS OTHERWISE INDICATED:  
 RESISTORS ARE 1/4W; 5%  
 DIODES ARE D664  
 TRANSISTORS ARE DEC3639-IB



REVISIONS CHK/CHG NO. (REV.)	DRN <i>M. Haller</i>	DATE 2-10-67	TRANSISTOR & DIODE CONVERSION CHART			TITLE DIODE GATE B142						
	CHK'D <i>R. Swenson</i>	DATE 2/19/67	DEC DEC3639-IB	EIA 2N3639		DEC 	EIA 	SIZE B	CODE CS	NUMBER B142-0-1	REV.	
	ENG <i>RCS</i>	DATE 7/16/67	DEC D662	EIA IN648								
	PROD.	DATE	DEC D664	EIA IN3606								
EQUIPMENT CORPORATION MAYNARD, MASSACHUSETTS						PRINTED CIRCUIT REV.		A				