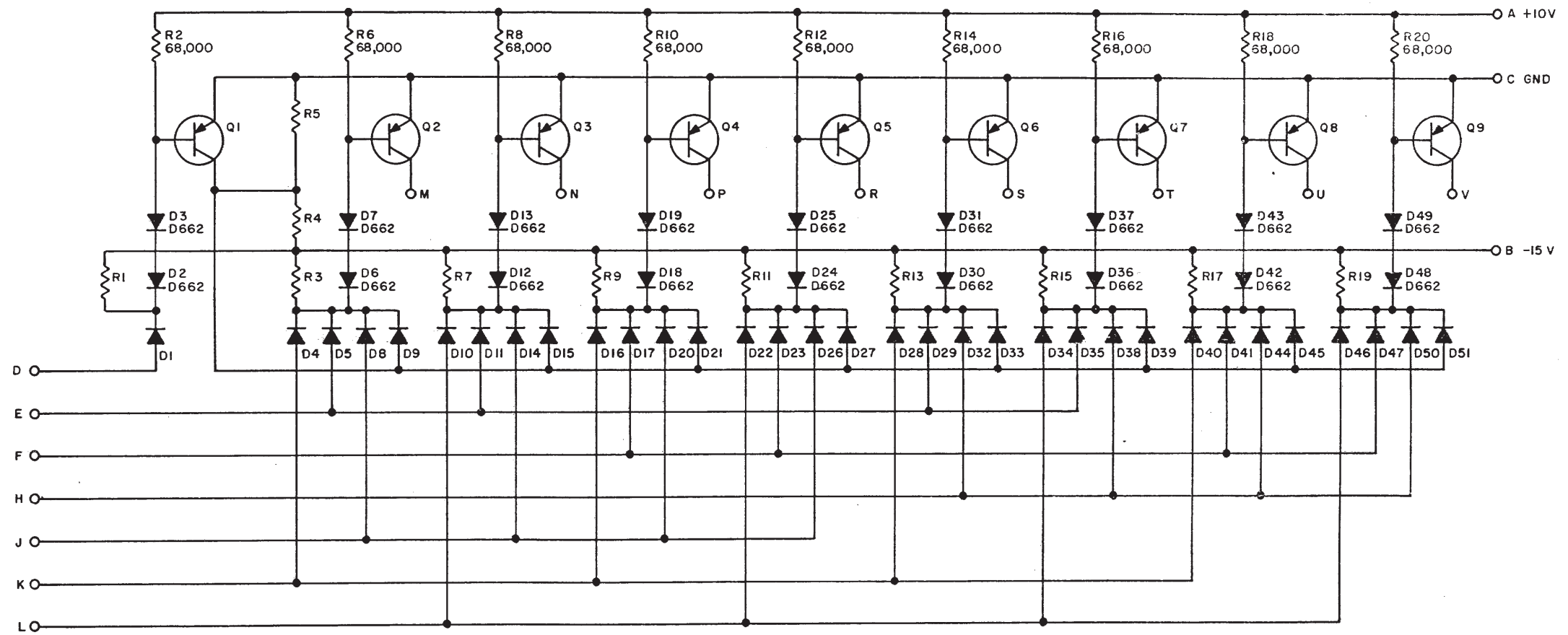


THIS SCHEMATIC IS FURNISHED ONLY FOR TEST AND MAINTENANCE PURPOSES. THE CIRCUITS ARE PROPRIETARY IN NATURE AND SHOULD BE TREATED ACCORDINGLY. COPYRIGHT 1967 BY DIGITAL EQUIPMENT CORPORATION



UNLESS OTHERWISE INDICATED:
 RESISTORS ARE 7,500
 RESISTORS ARE 1/4 W, 5%
 DIODES ARE D664
 TRANSISTORS ARE 2N4258

REV. NUMBER
 C CS B152-0-1

REVISIONS CHK CHG NO. REV.	DRN. <i>M. Miller</i> DATE 5-17-67	TRANSISTOR & DIODE CONVERSION CHART				digital EQUIPMENT CORPORATION MAYNARD, MASSACHUSETTS	TITLE BINARY TO OCTAL DECODER B152			
	CHK'D. <i>R. Schuman</i> DATE 5/17/67	DEC 2N4258	EIA SAME	DEC	EIA		SIZE C	CODE CS	NUMBER B152-0-1	REV.
	ENG. <i>A. Kotok</i> DATE 5-23-67	D662 IN645	D664 IN3606	DEC	EIA		PRINTED CIRCUIT REV.	A	B	C
	PROD. DATE	DEC	EIA	DEC	EIA		A	B	C	D