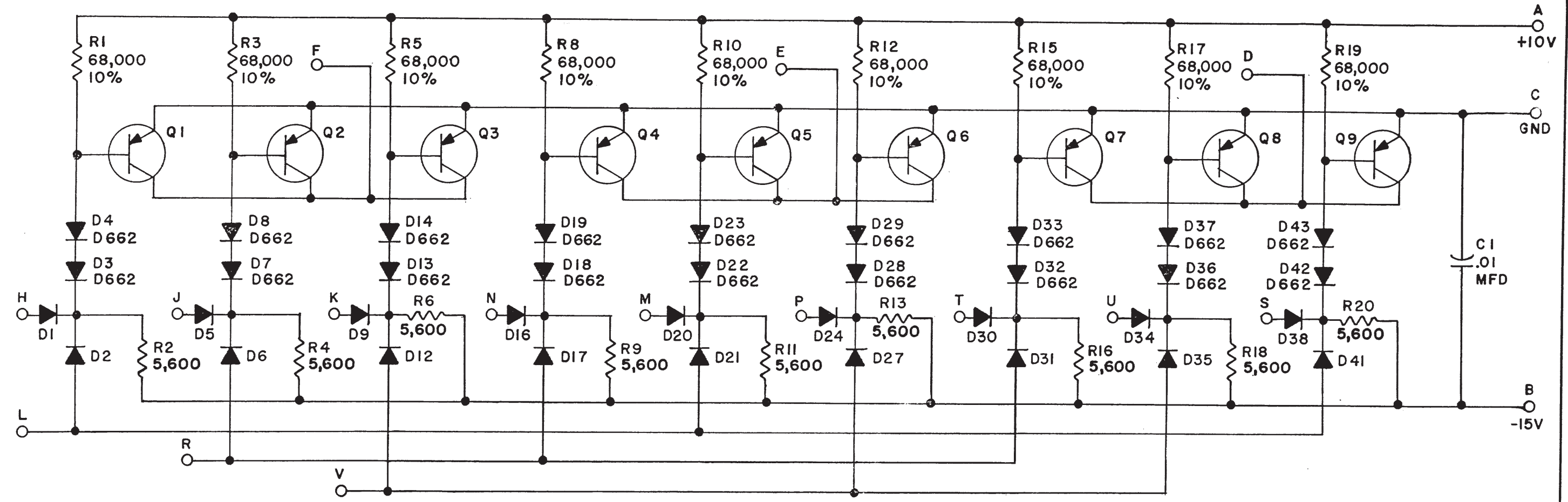


THIS SCHEMATIC IS FURNISHED ONLY FOR TEST AND MAINTENANCE PURPOSES. THE CIRCUITS ARE PROPRIETARY IN NATURE AND SHOULD BE TREATED ACCORDINGLY. COPYRIGHT 1966 BY DIGITAL EQUIPMENT CORPORATION



UNLESS OTHERWISE INDICATED:
 RESISTORS ARE 1/4W; 5%
 DIODES ARE D664
 TRANSISTORS ARE 2N4258

← A B C D E F G H I J K L M N O P Q R S T U V W X Y Z →

REVISIONS	CHK CHG NO. REV.	A	B		DRN.	DATE	TRANSISTOR & DIODE CONVERSION CHART				digital	TITLE			
	5735		5901		M. Haller	10-20-66	DEC	EIA	DEC	EIA		DIODE GATE BI68			
	5901				Allen Kent	210-66	2N4258	2N4258				SIZE	CODE	NUMBER	REV.
					CHK'D	DATE				B	CS	BI68-0-1	B		
					ENG.	DATE				PRINTED CIRCUIT REV. B					
					PROD.	DATE				MAYNARD, MASSACHUSETTS					

