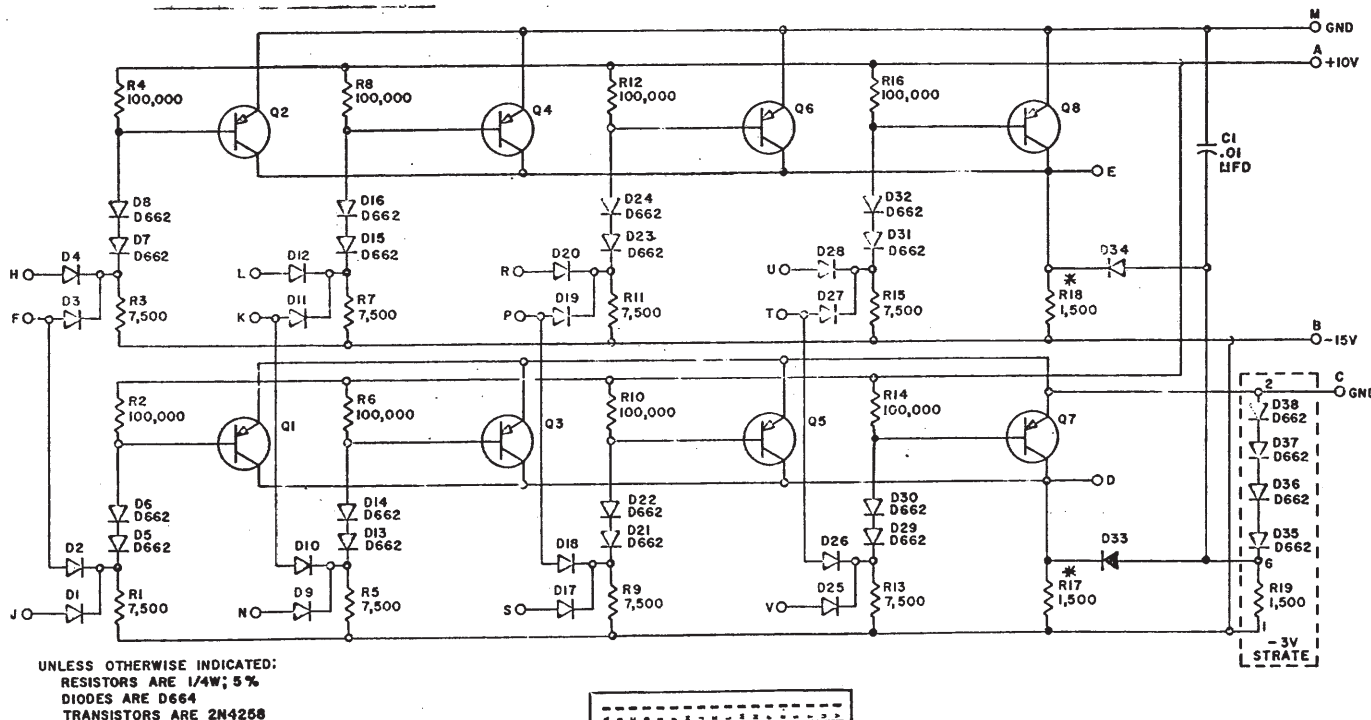
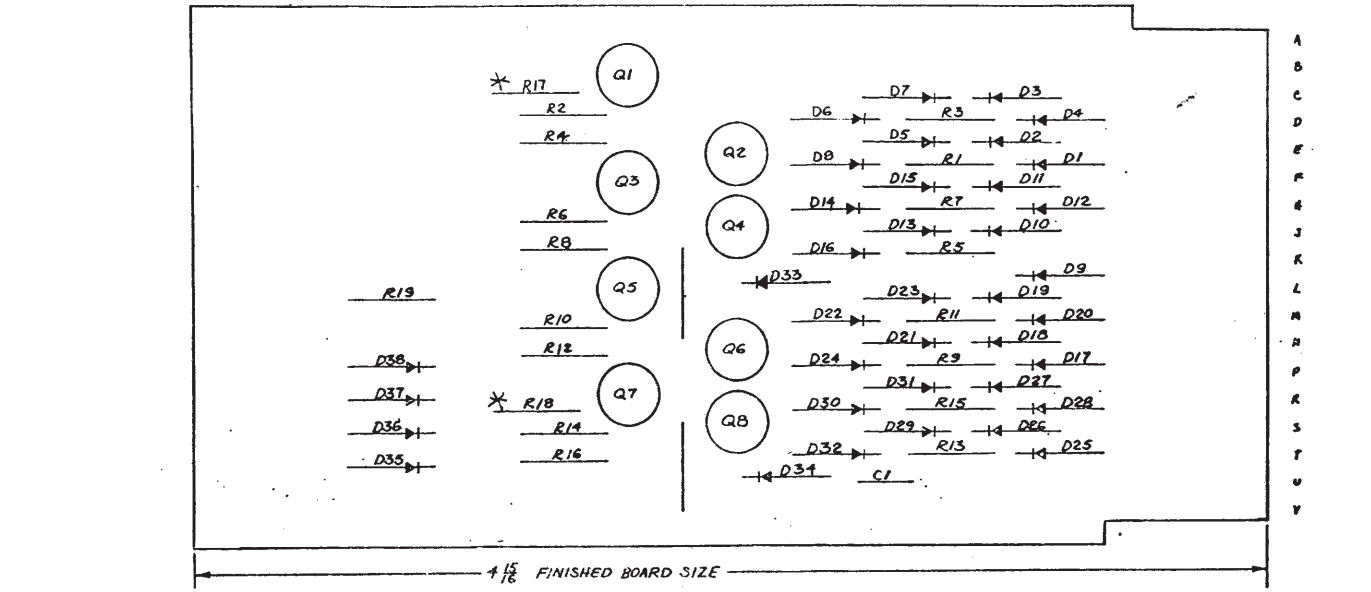


This drawing and specifications, herein, are the property of Digital Equipment Corporation and shall not be reproduced or copied or used in whole or in part as the basis for the manufacture or sale of items without written permission.



NOTES  
 \* THESE RESISTORS ARE DELETED ON B169-YA

QTY	REF DESIGNATION	DESCRIPTION	PART NO.	ITEM NO.
2		EYELET	9006732	13
8	Q1-Q8	TRANSISTOR DEC4258	1505021	12
8	R2,4,6,8,10,12,14,16	RESISTOR 100K 1/4W 5%	1302466	11
8	R1,3,5,7,9,11,13,15	RESISTOR 7.5K 1/4W 5%	1301422	10
3	R17-R19	RESISTOR 1.5K 1/4W 5%	1300391	9
18	D1-D4, D9-D12, D17-D20, D25-D28, D33, D34	DIODE D664	1100114	8
20	D5-D8, D13-D16, D21-D24, D29-D32, D35-D38	DIODE D662	1100113	7
1	C1	CAP. 0.1MF 100V 20% DISC	1001610	6
1		HANDLE FLIPCHIP-BLUE	9008337-5	5
1		ETCHED CIRCUIT BOARD	5003781	4
REF		MODULE ECO HISTORY	B-MH-B169-0-6	3
REF		ASSY/DRILLING HOLE CUTOUT	D-AH-B169-0-5	2
REF		X-Y COORDINATE HOLE LOCATION	K-CO-B169-0-4	1

ETCH BOARD REV		PARTS LIST	
B			
DRN	DATE	digital EQUIPMENT CORPORATION	
CHK'D	DATE	TITLE	
ENG.	DATE	INVERTER	
PROL. ENG.	DATE	SIZE CODE	
PROD.	DATE	DCS B169-0-1	
NEXT HIGHER ASSY		REV. D	
SCALE		DIST.	
SHEET 1 OF 1			

REV	CHG	CHANGE NO.	REVISIONS
1	D	12-7-68	D664 IN3606
2	D	12-7-68	D662 IN645
3	D	12-7-68	2N4258 SAME