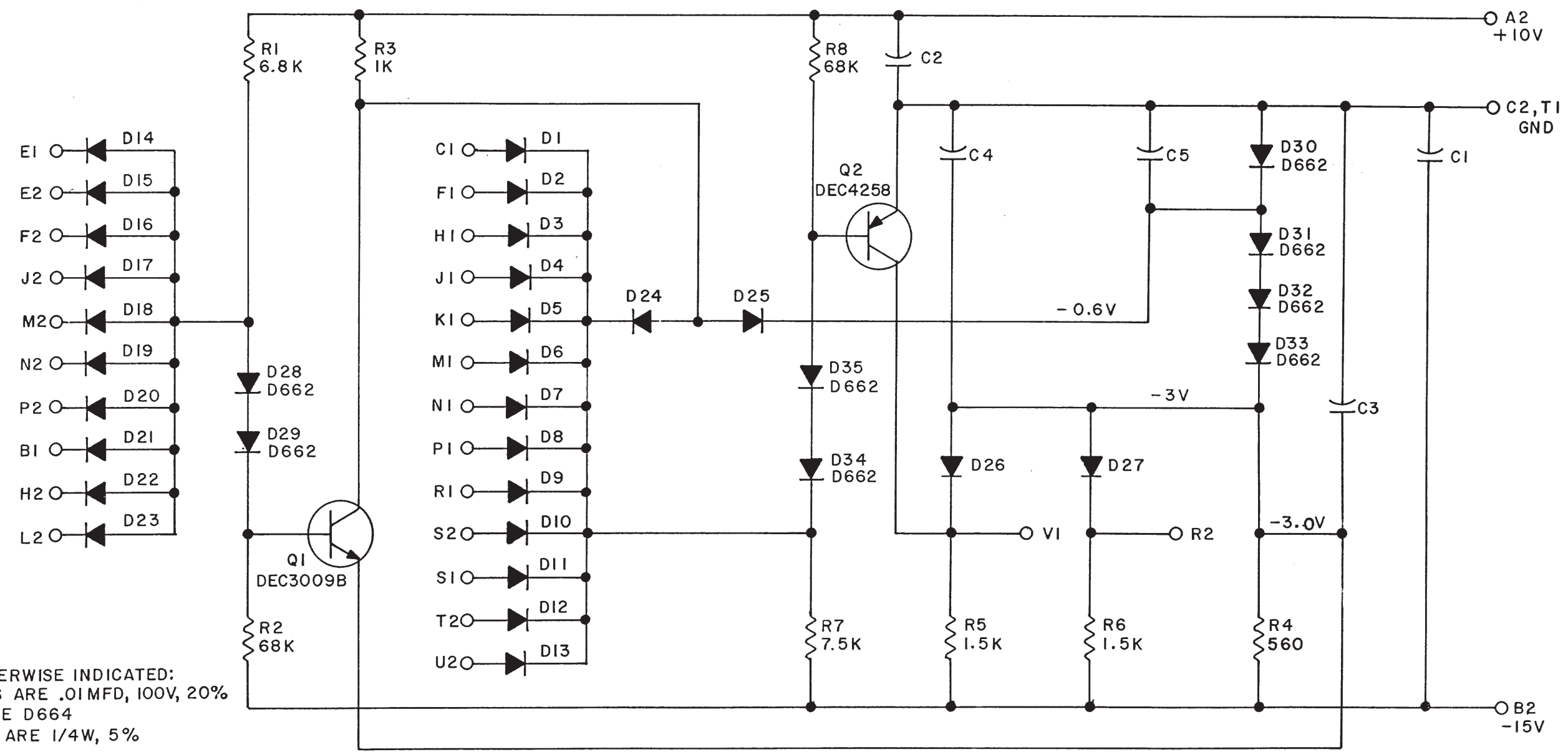


THIS SCHEMATIC IS FURNISHED ONLY FOR TEST AND MAINTENANCE PURPOSES. THE CIRCUITS ARE PROPRIETARY IN NATURE AND SHOULD BE TREATED ACCORDINGLY. COPYRIGHT 1969 BY DIGITAL EQUIPMENT CORPORATION



UNLESS OTHERWISE INDICATED:
CAPACITORS ARE .01MFD, 100V, 20%
DIODES ARE D664
RESISTORS ARE 1/4W, 5%

REVISIONS	CHK	CHG NO.	REV.			DRN.	DATE	TRANSISTOR & DIODE CONVERSION CHART				digital	TITLE		
	00001	A	B			<i>M. J. Keller</i>	10-21-69	DEC	EIA	DEC	EIA		DIODE GATE B173		
	00002					CHK'D	DATE	D662	IN645				SIZE	CODE	NUMBER
						ENG.	DATE	D664	IN3606			B	CS	B173-0-1	B
						PROD.	DATE	DEC3009B	2N3009			PRINTED CIRCUIT REV.		A	
								DEC4258	2N4258						

