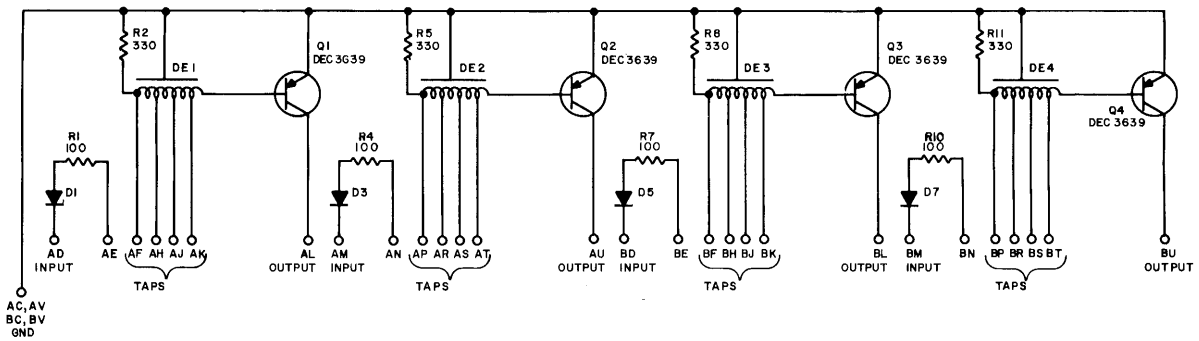


THIS SCHEMATIC IS FURNISHED ONLY FOR TEST AND MAINTENANCE PURPOSES. THE CIRCUITS ARE PROPRIETARY IN NATURE AND SHOULD BE TREATED ACCORDINGLY. COPYRIGHT 1965 BY DIGITAL EQUIPMENT CORPORATION



UNLESS OTHERWISE INDICATED:  
 RESISTORS ARE 1/4W, 10%  
 DIODES ARE D-664  
 DE1 - DE4 ARE TECHNITROL, .05  $\mu$ sec,  
 330  $\Omega$  TAPS AT .0125  $\mu$ sec, DD-330-5-1, 6012



REVISIONS CHK'G NO. REV DAW 4748 1 DEW 5 REOK 6/2/65 839 B	DRN. H.W. PORTER	DATE 1-29-65	TRANSISTOR & DIODE CONVERSION CHART				TITLE DELAY LINE B310 digital EQUIPMENT CORPORATION MAYNARD, MASSACHUSETTS	SIZE B	CODE CS	NUMBER B310-0-1	REV B
	CHK'D M. PERRYMAN	DATE 2-11-65	DEC	EIA	DEC	EIA		PRINTED CIRCUIT REV.	A		
	ENG. J.C. MC KEEN	DATE 2-11-65	DEC3659	2N3659							
	PROD	DATE	D664	IN3606							