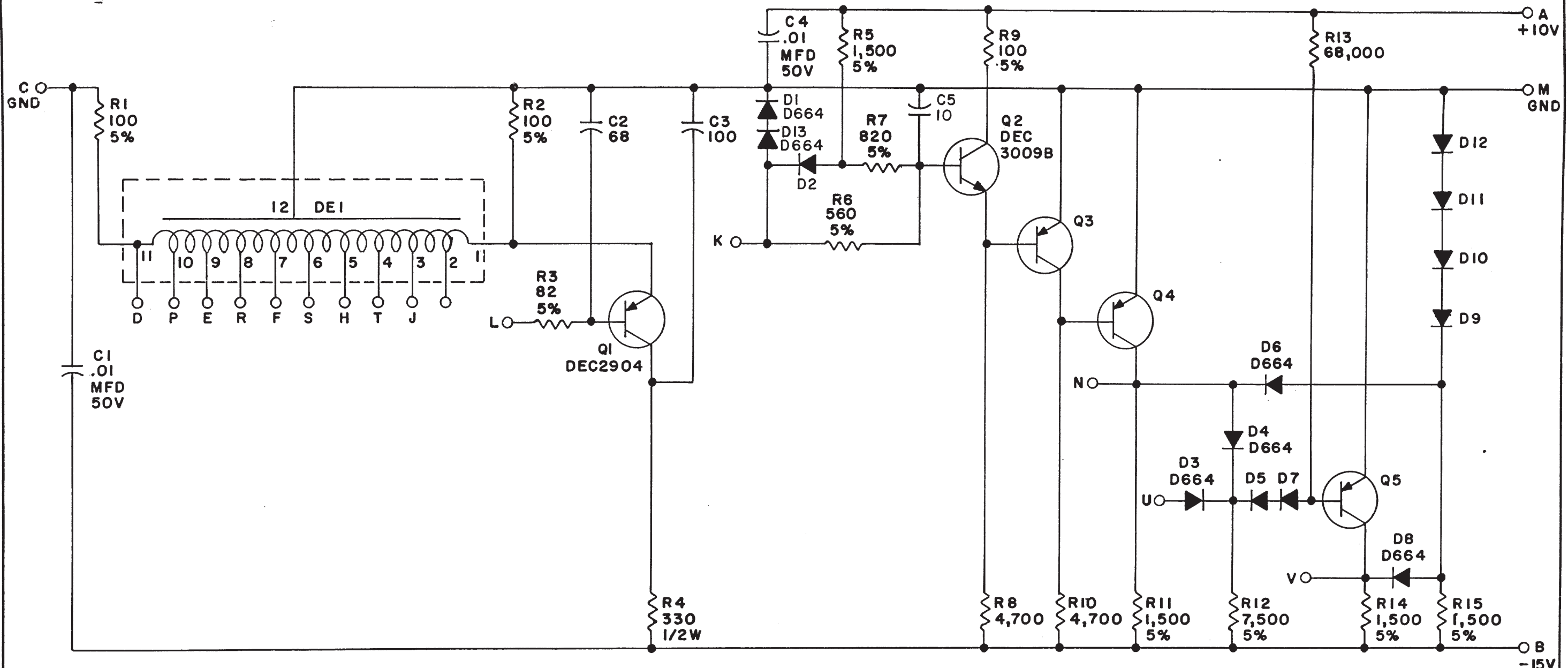


THIS SCHEMATIC IS FURNISHED ONLY FOR TEST AND MAINTENANCE PURPOSES. THE CIRCUITS ARE PROPRIETARY IN NATURE AND SHOULD BE TREATED ACCORDINGLY. COPYRIGHT 1966 BY DIGITAL EQUIPMENT CORPORATION



UNLESS OTHERWISE INDICATED:  
 RESISTORS ARE 1/4W, 10%  
 CAPACITORS ARE MMFD  
 DIODES ARE D662  
 TRANSISTORS ARE DEC3639B  
 DEI IS A DEC 16-05529 DELAY  
 LINE WITH 25NS TAPS OR EQUIVALENT  
 PARTS LIST A-PL-B311-0-0



REVISIONS CHG NO. REV. 6211 A 6932 B	DRN. <i>M. Haller</i>	DATE 12-24-66	TRANSISTOR & DIODE CONVERSION CHART		<b>digital</b> EQUIPMENT CORPORATION MAYNARD, MASSACHUSETTS	TITLE TAPPED DELAY LINE B311
	CHK'D	DATE	DEC	EIA		SIZE .CODE NUMBER REV. B CS B311-0-1 B
	ENG.	DATE	DEC	EIA		PRINTED CIRCUIT REV. D
	PROD.	DATE				
	DEC2904	2N1132				
	DEC3009B	2N3009				
	DEC3639B	2N3639				
	D662	1N645				
	D664	1N3606				

*Pink* 015-309 139 450 351