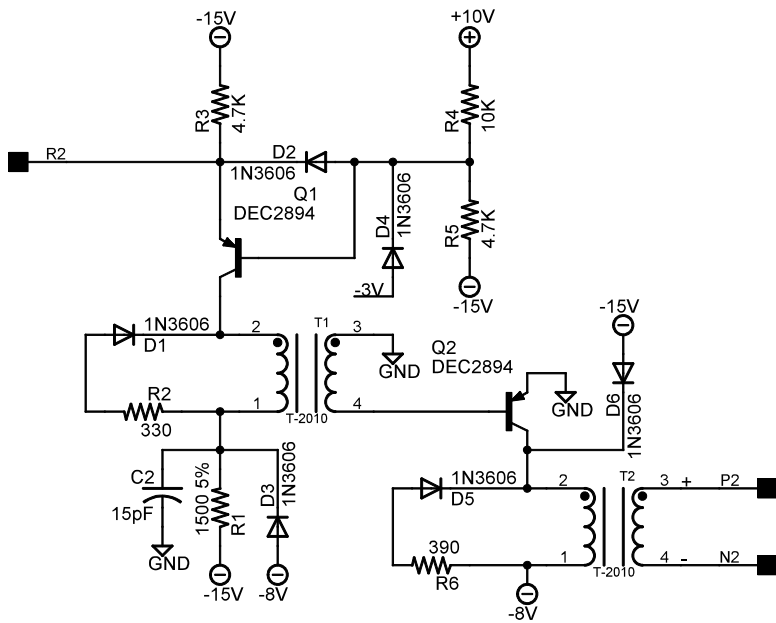
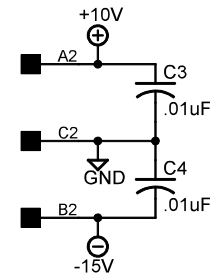
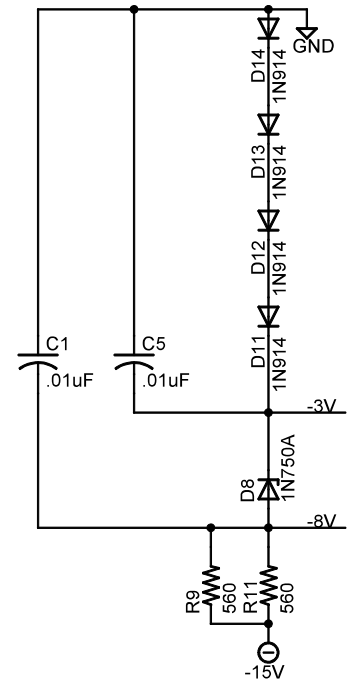


Delay



Pulse Amplifier



OUTLINE-SINGLE

Delay with Pulse Amplifier B360

TITLE: B360C

Document Number:
B-CS-B360-0-1

REV:

Date: 11/01/2012 11:18:51p

Sheet: 1/1