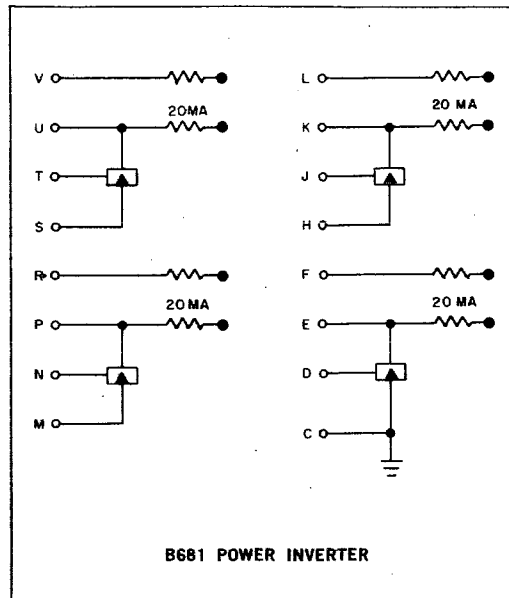


POWER INVERTER TYPE B681

**B
SERIES**



The B681 Power Inverter contains four high-current inverters, each with separate emitter connections. A 20-ma clamped load is permanently connected to each collector. Four additional 10-ma clamped loads are supplied. Input and output current ratings are double those of a standard inverter.

INPUT: Each input requires a steady-state 2-ma current at -3 v. Each independent clamped load requires 10 ma from a transistor collector to hold it at ground.

OUTPUT: Each power inverter transistor can supply 32 ma at ground. Each internal clamped load absorbs 20 ma, and 12 ma remain for an external emitter (level or pulse), or loads to -15 such as odd-numbered diode gates, etc. Each of the clamped loads that are internally connected to power inverter collectors can supply 14 ma at -3 v. Each of the additional clamped loads can supply 7 ma at -3 v.

POWER: $+10$ v(A)/0 ma; -15 v/130 ma.