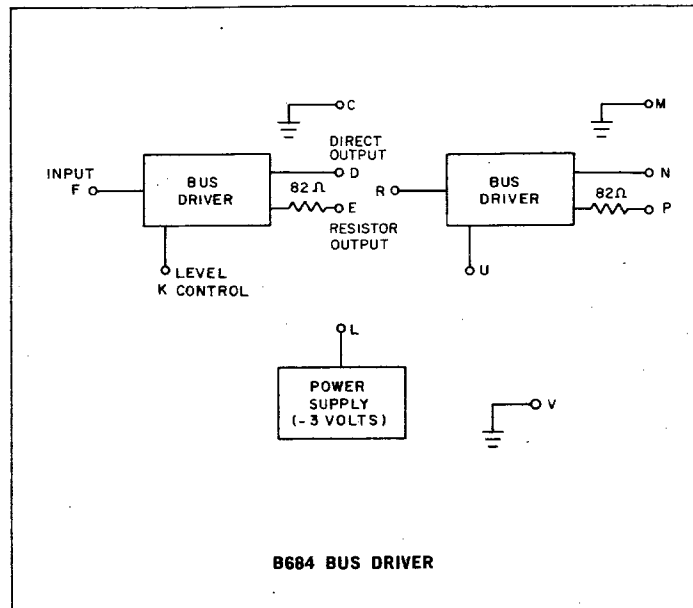


BUS DRIVER TYPE B684

B SERIES



The B684 contains two dual-purpose, non-inverting bus drivers and a -3 v supply. Each bus driver provides standard levels either to a large number of inverter base and diode loads, or to a terminated 90-ohm cable. All logic terminals are available at the connector. Delay through a bus driver is approximately 30 nsec.

INPUT: Standard levels or equivalent; 1 ma of load when the input is at -3 v. Input capacitance is 8 pf. The input circuit will tend to oscillate if it is driven by a wire more than 3 feet long.

OUTPUT: Direct — Standard levels capable of driving ± 40 ma at 10 mc. Each bus driver level control pin must be connected to -3 v when using the direct output. The separate ground terminal provided for each circuit should be the ground point for loads driven by that circuit. This output is the one to use for driving heavy loads over short distances.

Resistor — Ground and -6 v levels at the resistor output provide standard levels at the end of a 93-ohm cable when it is terminated with a 100-ohm resistor to ground. The terminated cable will drive 10 ma at 10 mc. The level control pins must be left open when driving a terminated cable from the resistor output. The separate ground terminal provided for each circuit should be the ground return point for loads driven by that circuit.

For driving 5 ma loads or less, an unterminated cable or open wire may be driven from the resistor output using 3v levels. This connection allows heavy local loads to be combined with light distant loads on one circuit.

POWER UNLOADED: $+10$ v(A)/80 ma; -15 v(B)/120 ma.

POWER FOR LOAD: Current to bring loads to ground must be added to the total demanded from $+10$ (A); current to bring loads negative must be added to the total current from -15 (B).

B684 — \$52.00