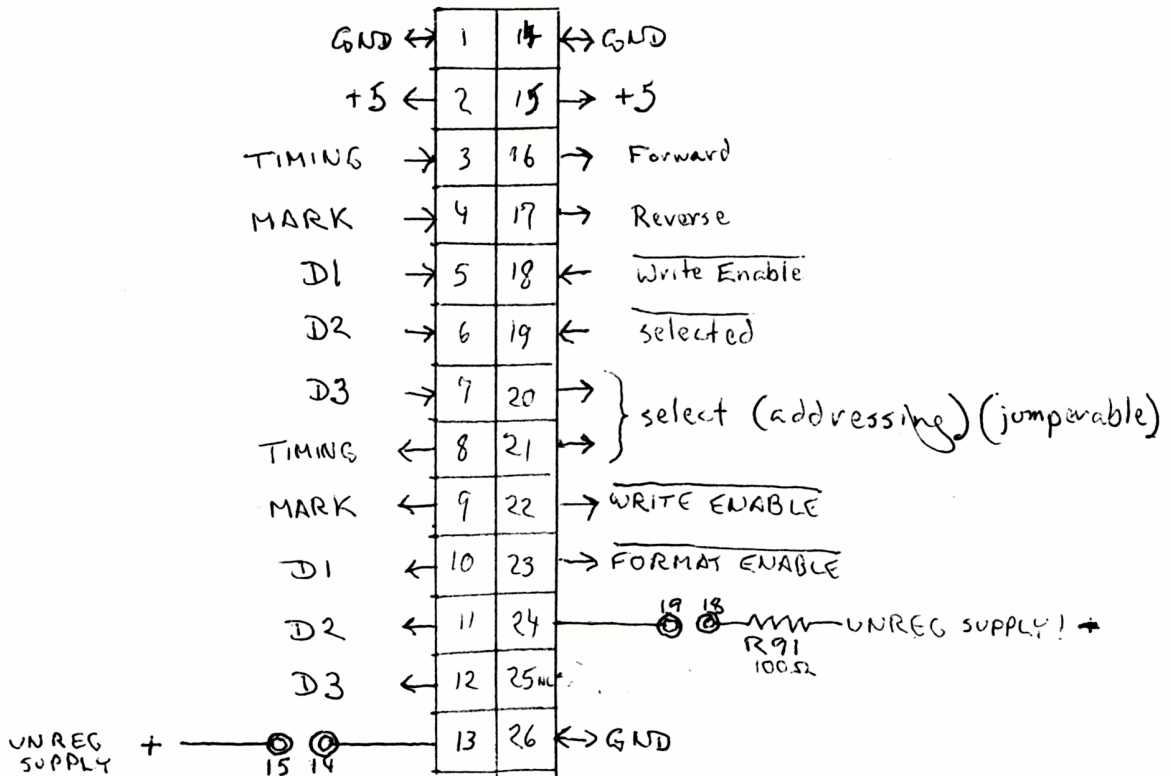


P2

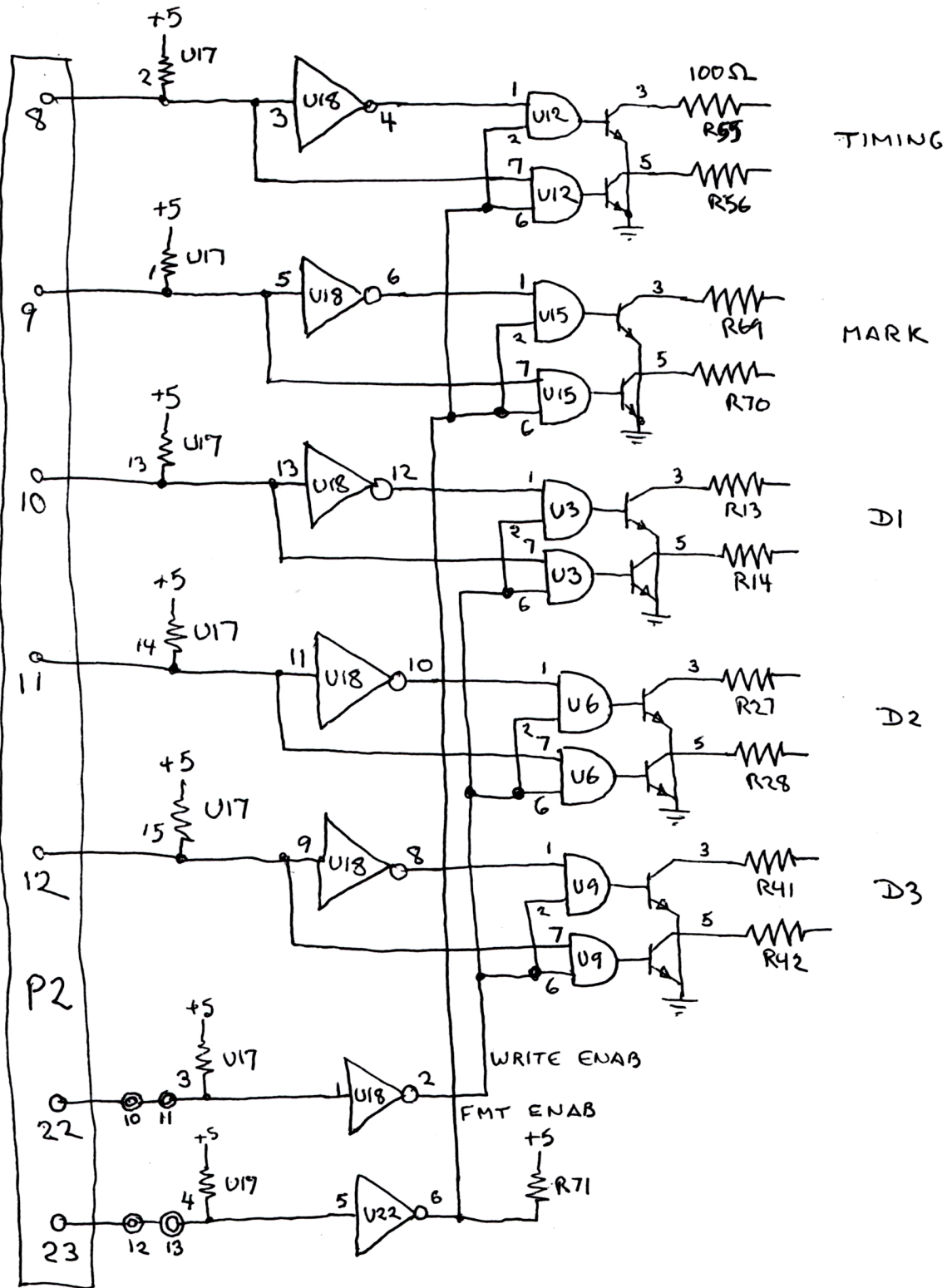


	ADDRESS JUMPERING				SELECTED WHEN	
	4-5	5-6	1-2	2-3	21	20
default	✓		✓		1	1
	✓			✓	1	0
		✓	✓		0	1
		✓		✓	0	0

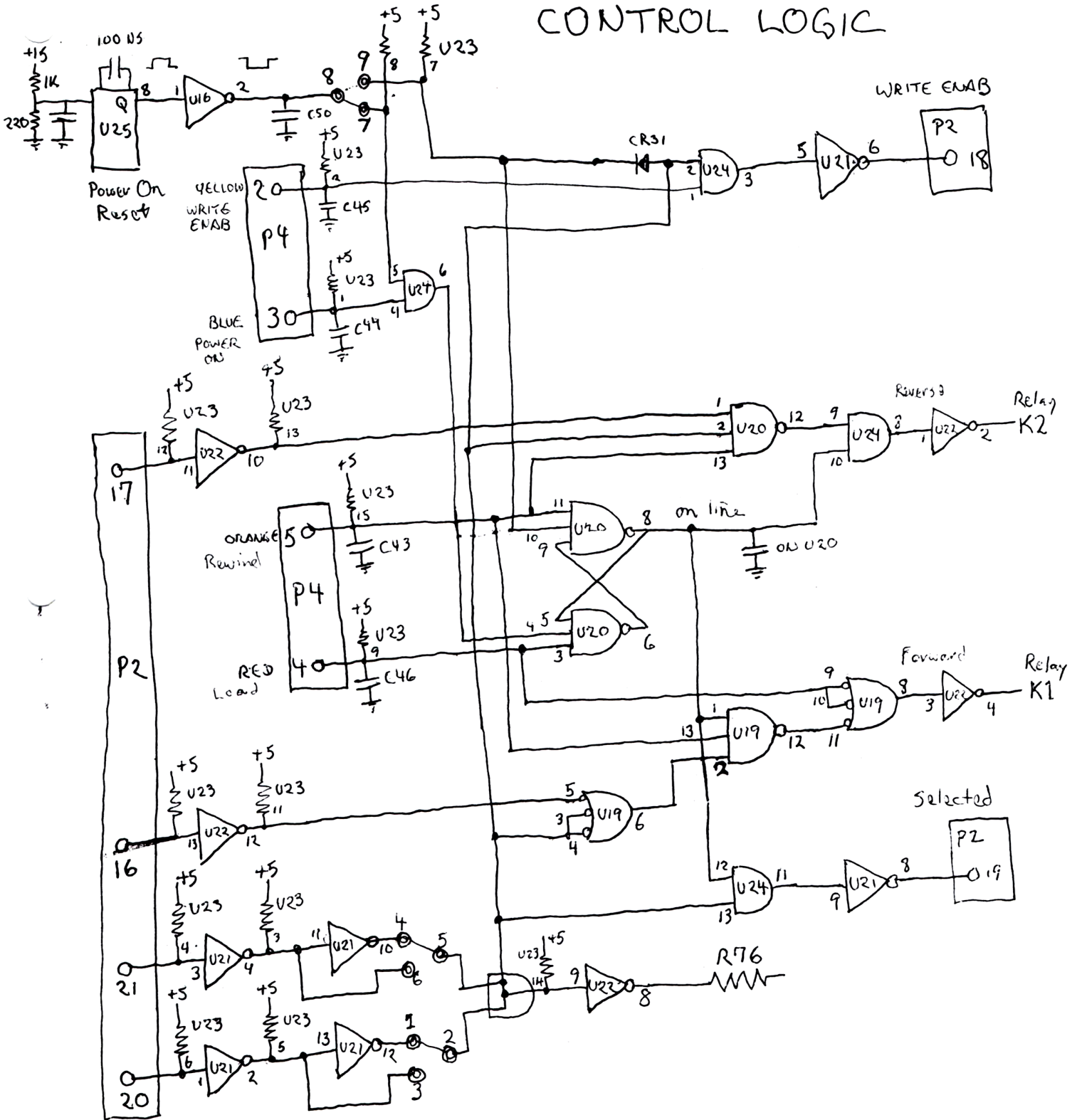
POWER ON RESET JUMPERING

default 7-8 off line on power up
 8-9 on line on power up

WRITE LOGIC



CONTROL LOGIC



TD8-E
M868
J1

	A	B	
GND	C	D	← READ 0 TTL
GND	E	F	← READ MARK TRACK TTL
GND	H	J	← READ TIME TRACK TTL
GND	K	L	← READ 1 TTL
GND	M	N	← SEL ECHO { $\begin{matrix} -3 \\ -5 \\ -15 \end{matrix}$ } $\begin{matrix} -3 = \text{not selected} \\ -5 = \text{selected} \\ -15 = \text{not selected} \end{matrix}$
	P	R	
GND	S	T	← WRITE ECHO $\begin{matrix} 0 \\ -3 \end{matrix}$ $\begin{matrix} 0 = \text{write enable} \\ -3 = \text{write lockout} \end{matrix}$
GND	U	V	← READ 2 TTL
GND	W	X	→ WRITE WORD 2 TTL
GND	Y	Z	→ WORD ENABLE $\begin{matrix} 0V = \text{disable} \\ 5V = \text{enable write data} \end{matrix}$
GND	AA	BB	→ WRITE TIME TRACK TTL
GND	CC	DD	→ WRITE WORD 1 TTL
GND	EE	FF	→ WRITE WORD 0 TTL
GND	HH	JJ	→ STOP = \overline{GO} positive logic $\begin{matrix} 0V = \text{stop} \\ 5V = \overline{GO} \end{matrix}$
GND	KK	LL	→ UNIT positive logic $\begin{matrix} 0V = 0 \\ 5V = 1 \end{matrix}$
GND	MM	NN	→ TIME MARK ENABLE $\begin{matrix} 0V = \text{ENAB} \\ 5V = \text{DISABLE TIMING FORMAT} \end{matrix}$
GND	PP	RR	→ CON ALL HALT $\begin{matrix} 0V = \text{HALT} \\ 5V = \text{RUN} \end{matrix}$
GND	SS	TT	→ REVERSE = $\overline{\text{FORWARD}}$ $\begin{matrix} 0V = \text{REVERSE} \\ 5V = \text{FORWARD} \end{matrix}$
	UU	VV	