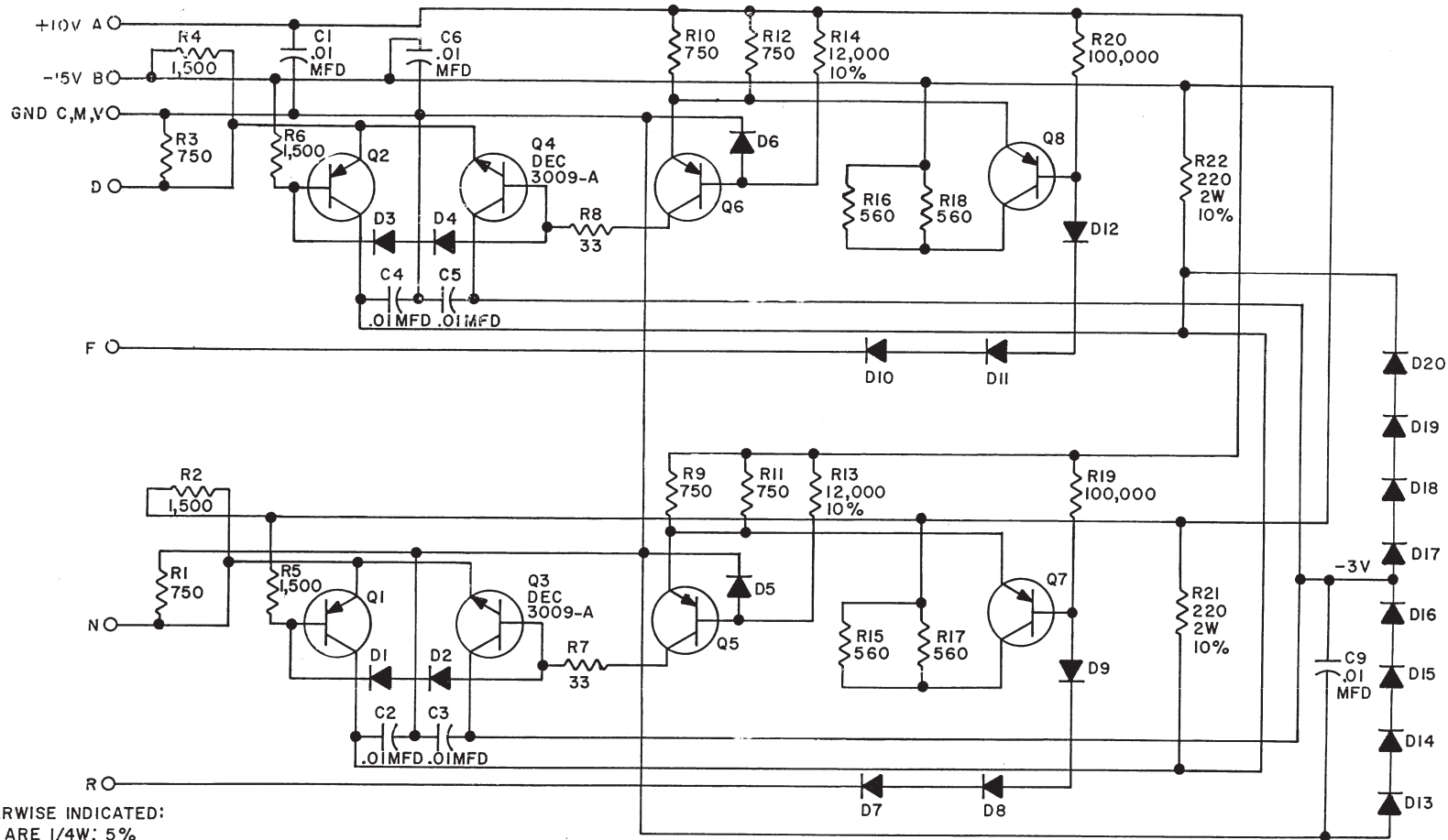




REV	A	NUMBER	GO10-0-1	CS	B	SIZE
-----	---	--------	----------	----	---	------

THIS SCHEMATIC IS FURNISHED ONLY FOR TEST AND MAINTENANCE PURPOSES. THE CIRCUITS ARE PROPRIETARY IN NATURE AND SHOULD BE TREATED ACCORDINGLY. COPYRIGHT 1966 BY DIGITAL EQUIPMENT CORPORATION



UNLESS OTHERWISE INDICATED:  
 RESISTORS ARE 1/4W; 5%  
 DIODES ARE D662  
 TRANSISTORS ARE DEC2894-3A



REVISIONS CHK CHG NO. REV. 562B A	DRN.	DATE	TRANSISTOR & DIODE CONVERSION CHART		<b>digital</b> EQUIPMENT CORPORATION MAYNARD, MASSACHUSETTS	TITLE SENSE AMP SELECTOR GO10			SIZE B CODE CS NUMBER GO10-0-1 REV. A
	CHK'D	DATE	DEC	EIA		DEC	EIA		
	ENG.	DATE	DEC2894-3A	NONE					
	PROD.	DATE	DEC3009-A	2N3009					
			D662	1N645			PRINTED CIRCUIT REV. A		

