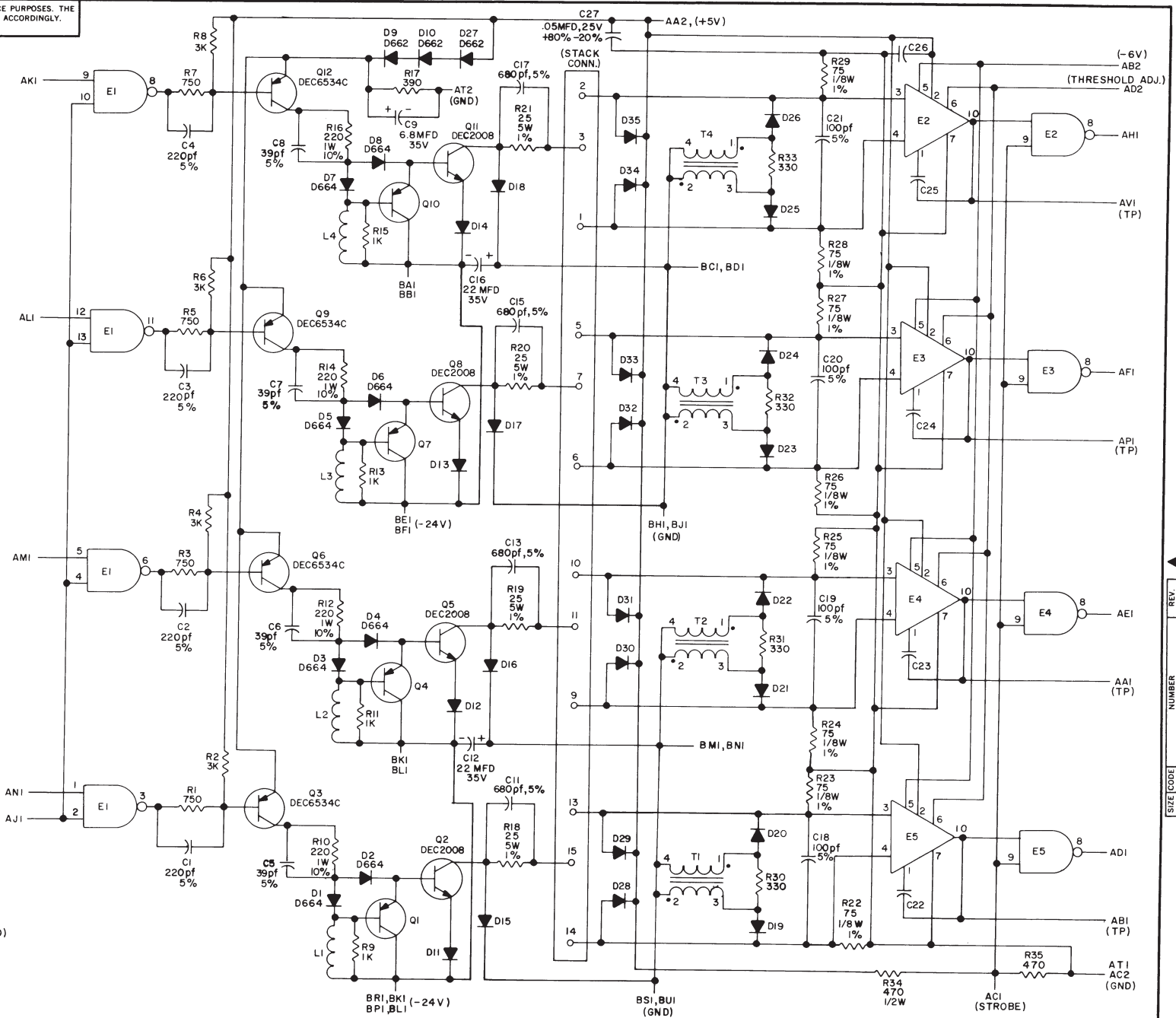


THIS SCHEMATIC IS FURNISHED ONLY FOR TEST AND MAINTENANCE PURPOSES. THE CIRCUITS ARE PROPRIETARY IN NATURE AND SHOULD BE TREATED ACCORDINGLY. COPYRIGHT 1969 BY DIGITAL EQUIPMENT CORPORATION



UNLESS OTHERWISE INDICATED:
 DIODES ARE D672
 CAPACITORS ARE .01MFD, 100V, 20%
 RESISTORS ARE 1/4W, 5%
 TRANSISTORS ARE DEC3639B
 E1 IS DEC74H00N
 E2, E3, E4, E5, ARE DEC1540G
 PIN 7 ON E1 IS TIED TO AT1, AC2 (GND)
 PIN 7 ON E2, E3, E4, E5 IS TIED TO AT1, AC2 (GND)
 PIN 2 ON E2, E3, E4, E5 = +5V
 PIN 14 ON E1 = +5V
 TRANSFORMERS ARE 1609478
 HOUSING IS DEC #1209482
 INDUCTORS L1 - L4 ARE 10MH

G100-4

REV.	CHG NO.	REV.
1	00001	A
2	00002	B
3	00003	C
4	00004	D

DRN. BUTLER	DATE 3/6/69
CHK'D	DATE 3/16/69
ENG. 11/1/69	DATE 11/3/69

TRANSISTOR & DIODE CONVERSION CHART			
DEC	EIA	DEC	EIA
D662	1N645	DEC6534C	MPS6534
D664	1N3606		
D672	1N4353		
DEC3639	2N3639		
DEC2008	NONE		

digital
 EQUIPMENT CORPORATION
 MAYNARD, MASSACHUSETTS

TITLE SENSE AMP AND INHIBIT DRIVER G100

SIZE C CS NUMBER G100-0-1 REV. D