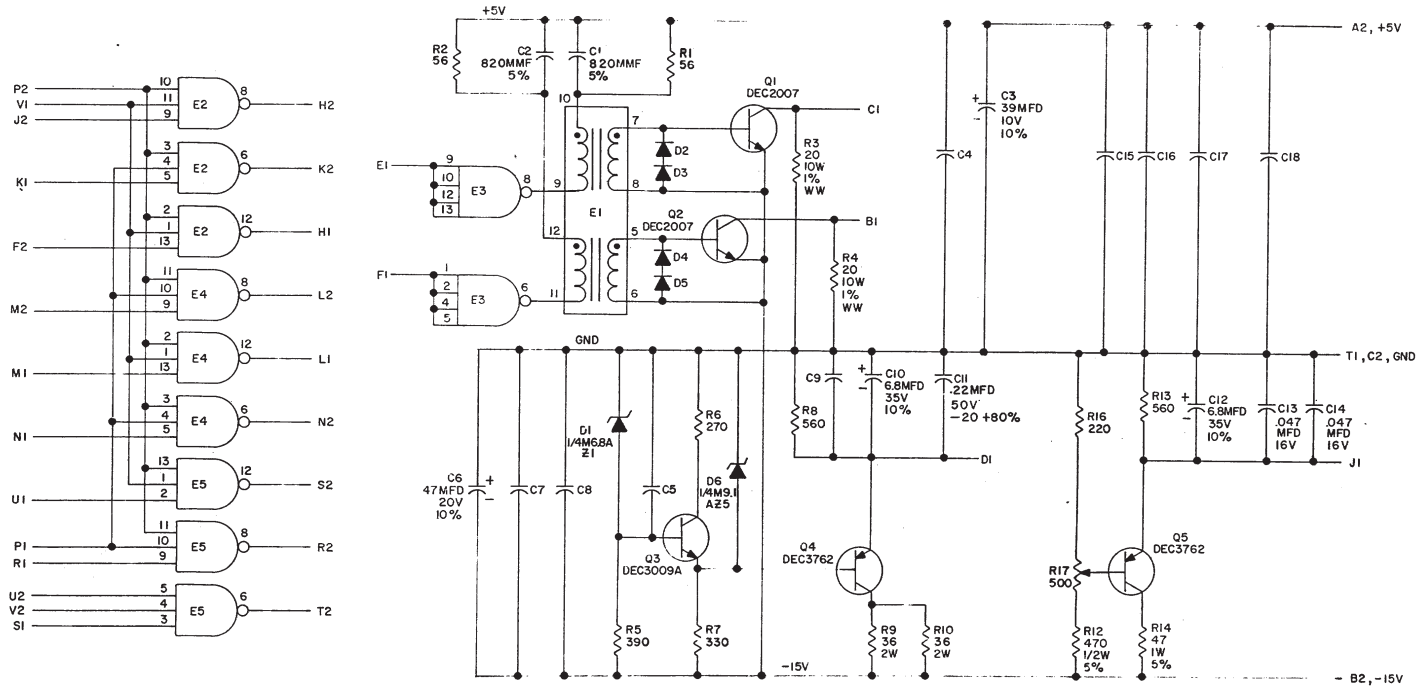


THIS SCHEMATIC IS FURNISHED ONLY FOR TEST AND MAINTENANCE PURPOSES. THE CIRCUITS ARE PROPRIETARY IN NATURE AND SHOULD BE TREATED ACCORDINGLY. COPYRIGHT 1969 BY DIGITAL EQUIPMENT CORPORATION



UNLESS OTHERWISE INDICATED:
 RESISTORS ARE 1/4W, 5%
 CAPACITORS ARE .01MFD, 100V, 20%
 PIN 7 ON EACH IC = GND
 PIN 14 ON EACH IC = +5V
 E2, E4, E5 ARE DEC74H10
 E3 IS DEC7440
 E1 IS TRANSFORMER DEC PART # 1609996-0
 DIODES ARE D664

REV	CHG	NO	REV
1	1	00001	A
2	1	00002	B
3	1	00003	C
4	1	00004	D
5	1	00005	E
6	1	00006	F
7	1	00007	G
8	1	00008	H
9	1	00009	I
10	1	00010	J
11	1	00011	K
12	1	00012	L
13	1	00013	M
14	1	00014	N
15	1	00015	O
16	1	00016	P
17	1	00017	Q
18	1	00018	R
19	1	00019	S
20	1	00020	T
21	1	00021	U
22	1	00022	V
23	1	00023	W
24	1	00024	X
25	1	00025	Y
26	1	00026	Z

DRN	DATE	DEC	EIA	DEC	EIA
664	8/29/69	DEC	IN3606	1/4M9.1A25	NONE
664	6-27-67	DEC	NONE	1/4M6.8A21	NONE
664	12-2-70	DEC	NONE	DEC2007	NONE
664	12-2-70	DEC	NONE	DEC3762	NONE
664	12-2-70	DEC	NONE	DEC3009A	2N3009A

digital TITLE MEMORY LEVELS
 EQUIPMENT CORPORATION NUMBER GIO3-0-1
 MAYNARD, MASSACHUSETTS PRINTED CIRCUIT REV. A

DEC FORM NO. DRC 102

DIST. 3-4-434, 435²

PINK

REV. F
 NUMBER GIO3-0-1
 SIZE CODE C CS