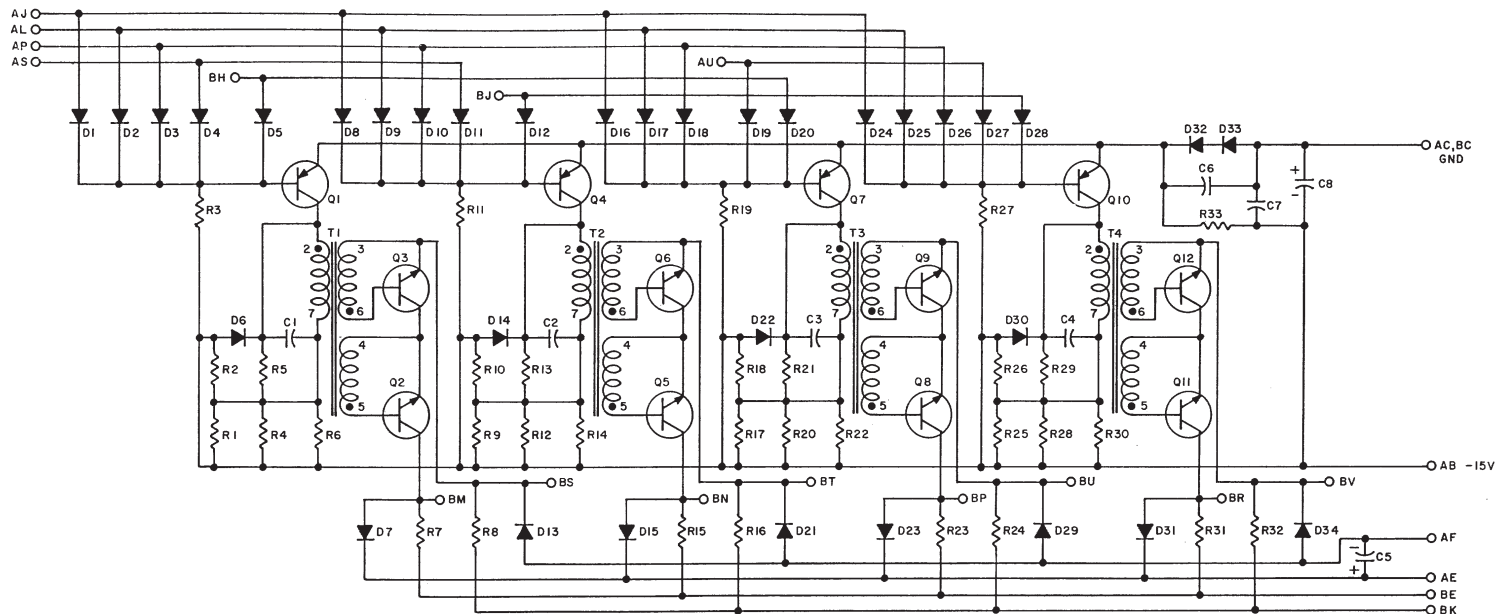


THIS SCHEMATIC IS FURNISHED ONLY FOR TEST AND MAINTENANCE PURPOSES. THE CIRCUITS ARE PROPRIETARY IN NATURE AND SHOULD BE TREATED ACCORDINGLY. COPYRIGHT 1969 BY DIGITAL EQUIPMENT CORPORATION



T1 - T4	TRANSFORMER T-2050	I605794-04
Q2, Q3, Q5, Q6, Q8, Q9, Q11, Q12	TRANSISTOR DEC1010	I509322
Q1, Q4, Q7, Q10	TRANSISTOR DEC2894-3B	I503099
R7, R8, R15, R16, R23, R24, R31, R32	RES. 10K 1/4W 5% CC	I300479
R5, R13, R21, R29	RES. 2.2K 1/4W 5% CC	I300417
R3, R11, R19, R27	RES. 7.5K 1/4W 5% CC	I301422
R18, R20, R22, R25, R26, R28, R30, R33	RES. 1.2K 1/4W 10% CC	I300386
R1, R2, R4, R6, R9, R10, R12, R14, R17		
D32, D33	DIODE D662	I100113
D7, D13, D15, D21, D23, D29, D31, D34	DIODE D670	I102162
D24 - D28, D30	DIODE D664	I100114
D1 - D6, D8 - D12, D14, D16 - D20, D22,		
C8	CAP. 1MFD 35V 10% S. TANT	I001776
C6, C7	CAP. .01MFD 100V 20% DISC	I001610
C5	CAP. 1MFD 150V 10% FOIL	I000063
C1 - C4	CAP. 56 MMF 100V 5% D. M.	I000012
	PARTS LIST	A-PL-6206-O-0
REFERENCE DESIGNATION	DESCRIPTION	PART NO.

REVISIONS CHK'DG NO. REV. B N.J.P. 5361 REV'G REDR. C 2/27/65	DRN. H. PORTER	DATE 2-2-65	TRANSISTOR & DIODE CONVERSION CHART		digital EQUIPMENT CORPORATION MAYNARD, MASSACHUSETTS	TITLE MEMORY SELECTOR G206
	CHK'D N. PERRYMAN	DATE 2-11-65	DEC	EIA		
	ENG. T. HUGHES	DATE 2-11-65	DEC2894-3B	NONE		
	PRG.D.	DATE	D662	IN645		
			D664	IN3506		
			D670	IN3653		

DEC FORM NO. DRC 102

PRINT. 324, 434, 435, 339

REV. D
NUMBER G206-0-1
SIZE CODE C CS