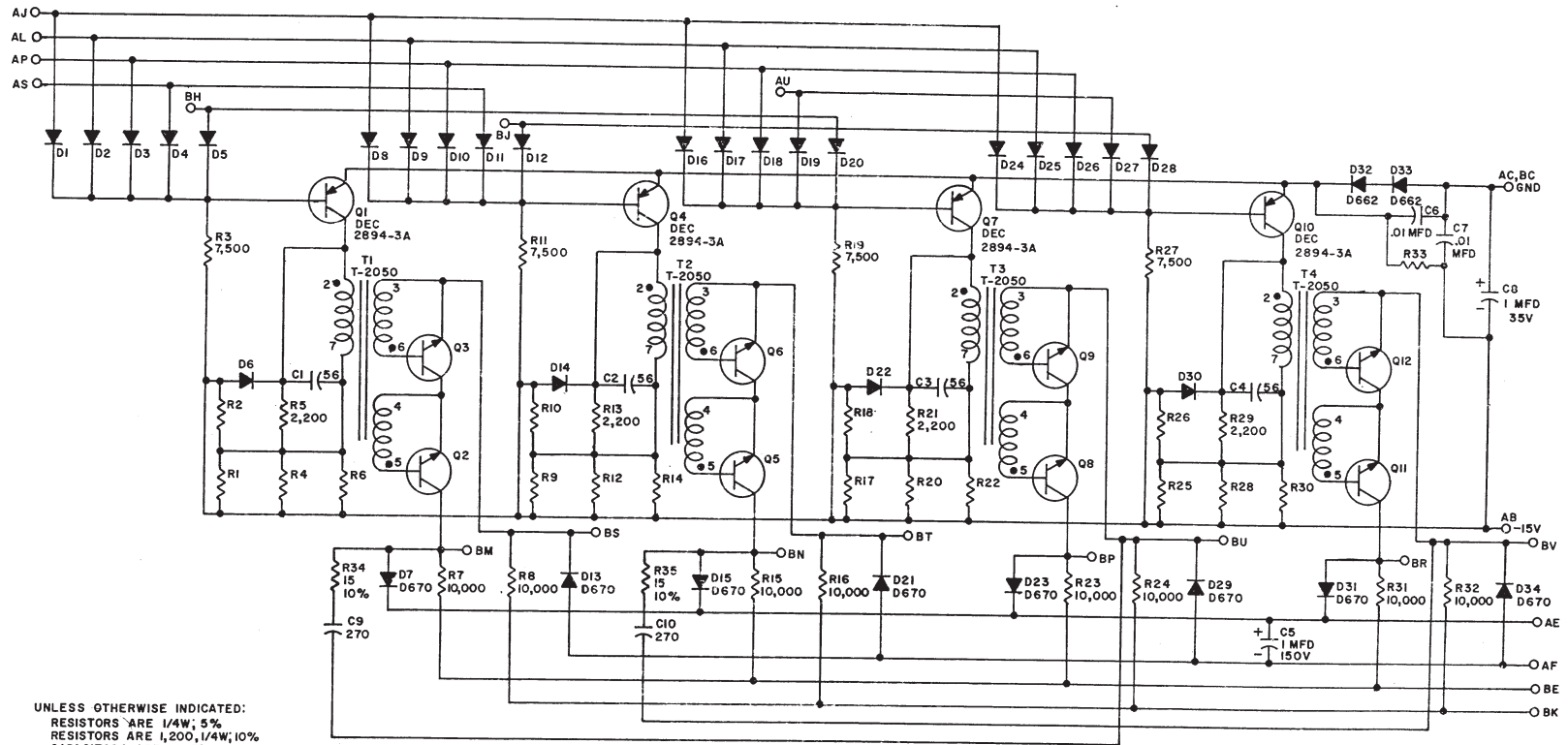


THIS SCHEMATIC IS FURNISHED ONLY FOR TEST AND MAINTENANCE PURPOSES. THE CIRCUITS ARE PROPRIETARY IN NATURE AND SHOULD BE TREATED ACCORDINGLY. COPYRIGHT 1966 BY DIGITAL EQUIPMENT CORPORATION.



UNLESS OTHERWISE INDICATED:  
 RESISTORS ARE 1/4W; 5%  
 RESISTORS ARE 1,200, 1/4W, 10%  
 CAPACITORS ARE MMFD  
 DIODES ARE D664  
 TRANSISTORS ARE DEC1010

USE THE ETCH BOARD OF THE G206

PARTS LIST IS A-PL-6212-0-0

REVISIONS  
 DRAWING NO. REV.  
 00001 A

DESIGNED BY: *M. B. ...* DATE: 9/1/66  
 CHECKED BY: *M. B. ...* DATE: 9/1/66  
 ENG. BY: *M. B. ...* DATE: 9/1/66  
 PROD. BY: *M. B. ...* DATE: 9/1/66

TRANSISTOR & DIODE CONVERSION CHART			
DEC	EIA	DEC	EIA
DEC1010	SAME		
DEC2894-3A	NONE		
D662	1N645		
D664	1N3606		
D670	1N3653		

**digital**  
 EQUIPMENT CORPORATION  
 MAYNARD, MASSACHUSETTS

TITLE: MEMORY COMMON  
 DRIVER G212

SIZE CODE: C | CS  
 NUMBER: G212-0-1  
 REV. A

DEC FORM NO. DRC 102

DIST: 124 | 134 | 435 | 329

REV. A  
 NUMBER  
 G212-0-1  
 C | CS