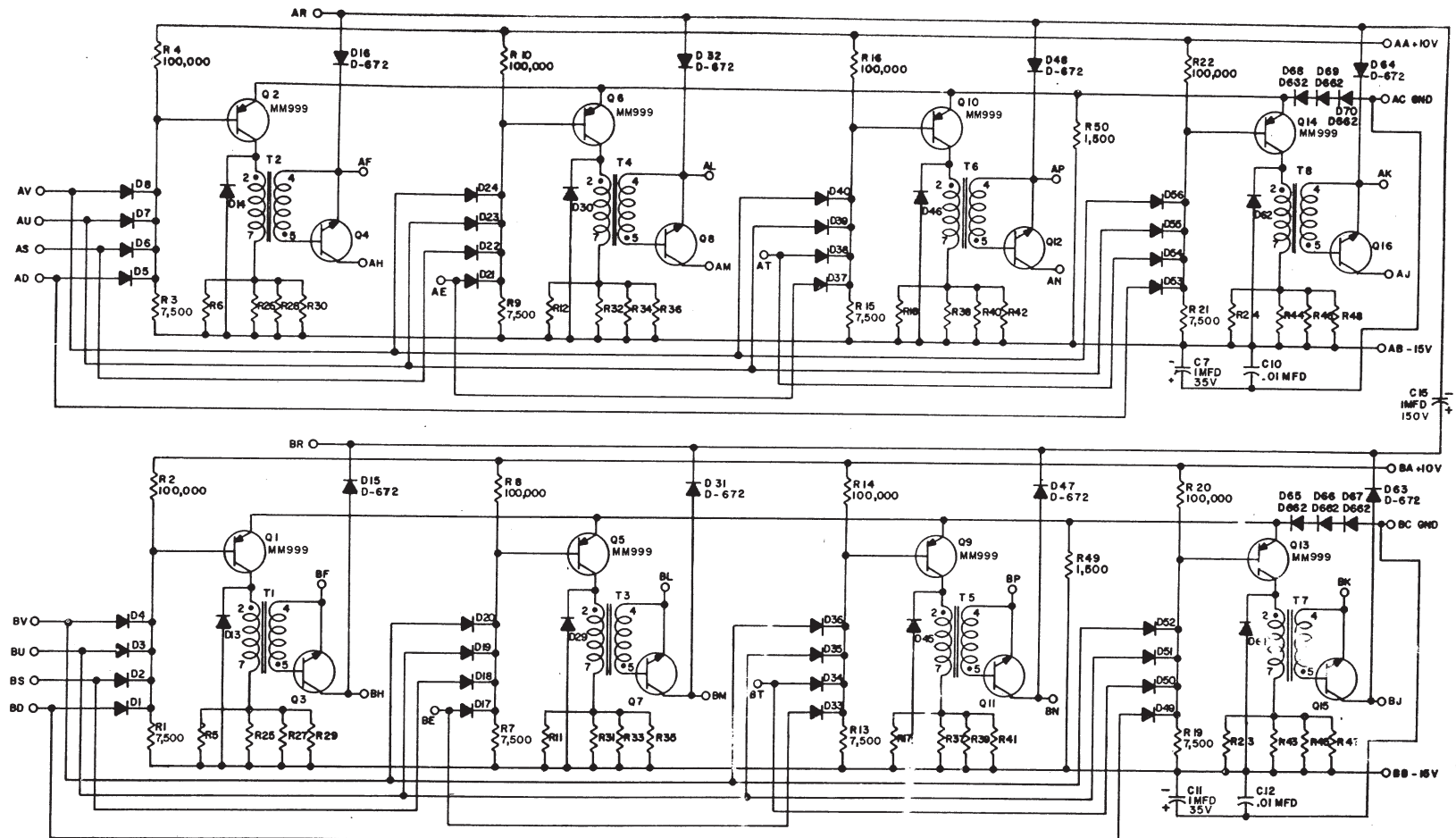


THIS SCHEMATIC IS FURNISHED ONLY FOR TEST AND MAINTENANCE PURPOSES. THE CIRCUITS ARE PROPRIETARY IN NATURE AND SHOULD BE TREATED ACCORDINGLY. COPYRIGHT 1968 BY DIGITAL EQUIPMENT CORPORATION



UNLESS OTHERWISE INDICATED:
 TRANSFORMERS ARE T-2071
 TRANSISTORS ARE DEC1011
 RESISTORS ARE 1/4 W, 5%
 DIODES ARE D-664
 RESISTORS ARE 1200, 1/4 W, 10%

USE THE ETCH BOARD OF THE G209

PARTS LIST A-PL-G217-0-0

| REV. | NO. | DATE | BY | CHKD |
|------|-------|------|----|------|
| 1 | 00001 | | | |
| 2 | 00002 | | | |
| 3 | 00003 | | | |
| 4 | 00004 | | | |
| 5 | 00005 | | | |

| CHK'D | NO. | DATE | BY | CHKD |
|-------|-------|------|----|------|
| 1 | 00001 | | | |
| 2 | 00002 | | | |
| 3 | 00003 | | | |
| 4 | 00004 | | | |
| 5 | 00005 | | | |

| DATE | BY | CHKD |
|----------|--------------|------|
| 12-10-68 | Dr. Miller | |
| 12-20-68 | Mr. M. M. M. | |
| 1-10-69 | Dr. Sullivan | |

| TRANSISTOR & DIODE CONVERSION CHART | | | |
|-------------------------------------|--------|-----|-----|
| DEC | EIA | DEC | EIA |
| DEC1011 | NONE | | |
| DEC68 | NONE | | |
| D664 | 1N645 | | |
| D664 | 1N3606 | | |
| D672 | 1N5653 | | |

| | | | |
|------------------------|------|-------------------------|------|
| digital | | TITLE | |
| EQUIPMENT CORPORATION | | MEMORY WORD DRIVER G217 | |
| SIZE | CODE | NUMBER | REV. |
| C | CS | G217-0-1 | E |
| MAYNARD, MASSACHUSETTS | | PRINTED CIRCUIT REV. | |
| | | H | |

DEC FORM NO. DFC 102

PINK

DIST 324 434 435 347

REV. NO. NUMBER G217-0-1