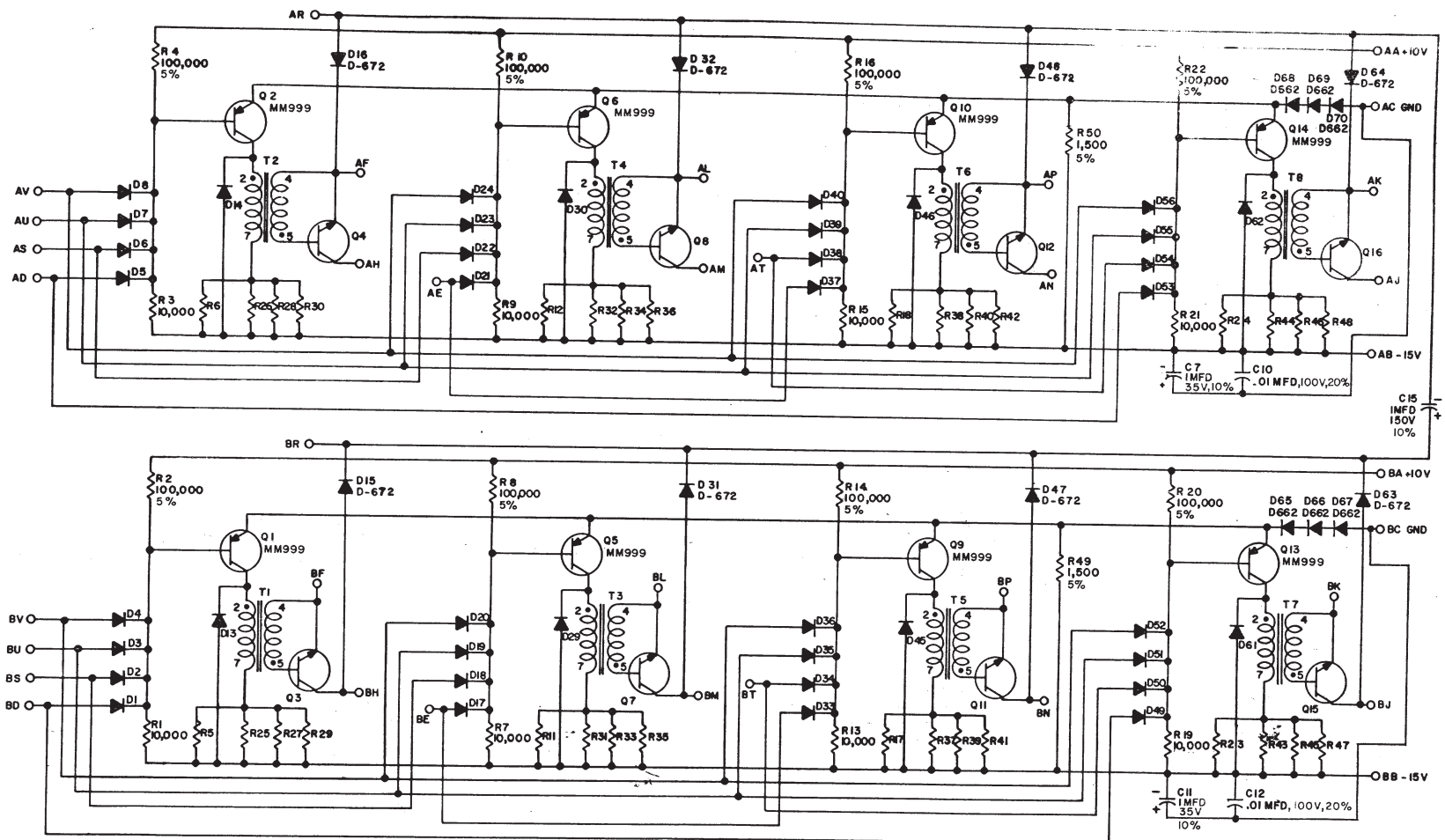


THIS SCHEMATIC IS FURNISHED ONLY FOR TEST AND MAINTENANCE PURPOSES. THE CIRCUITS ARE PROPRIETARY IN NATURE AND SHOULD BE TREATED ACCORDINGLY. COPYRIGHT 1966 BY DIGITAL EQUIPMENT CORPORATION



UNLESS OTHERWISE INDICATED:  
TRANSFORMERS ARE T-2071  
TRANSISTORS ARE DEC 1011

RESISTORS ARE 1/4 W, 10%  
DIODES ARE D-664  
RESISTORS ARE 1200

USE THE ETCH BOARD OF THE G209

PARTS LIST A-PL-G219-0-0

REV.	CHG. NO.	REV.	BY	DATE	DESCRIPTION
1	15945	B			
2	16280	O			
3	16358	D			
4	16384	B			
5	16371	E			
6	16388	K			
7	16398	J			
8	16000	L			
9	16002	M			
10	16003	N			
11	16004	R			

DATE		TRANSISTOR & DIODE CONVERSION CHART	
DATE	BY	DEC	EIA
11/16/66	W. H. H.	DEC1011	NONE
11/16/66	W. H. H.	MM999	SAME
11/16/66	W. H. H.	D662	IN3606
11/16/66	W. H. H.	D672	IN3653

**digital** MEMORY SELECTOR G219

EQUIPMENT CORPORATION  
MAYNARD, MASSACHUSETTS

SIZE CODE: C  
NUMBER: G219-0-1  
REV. R

PRINTED CIRCUIT REV. H

DATE: 3/24/67

REV. R  
NUMBER  
G219-0-1  
CS