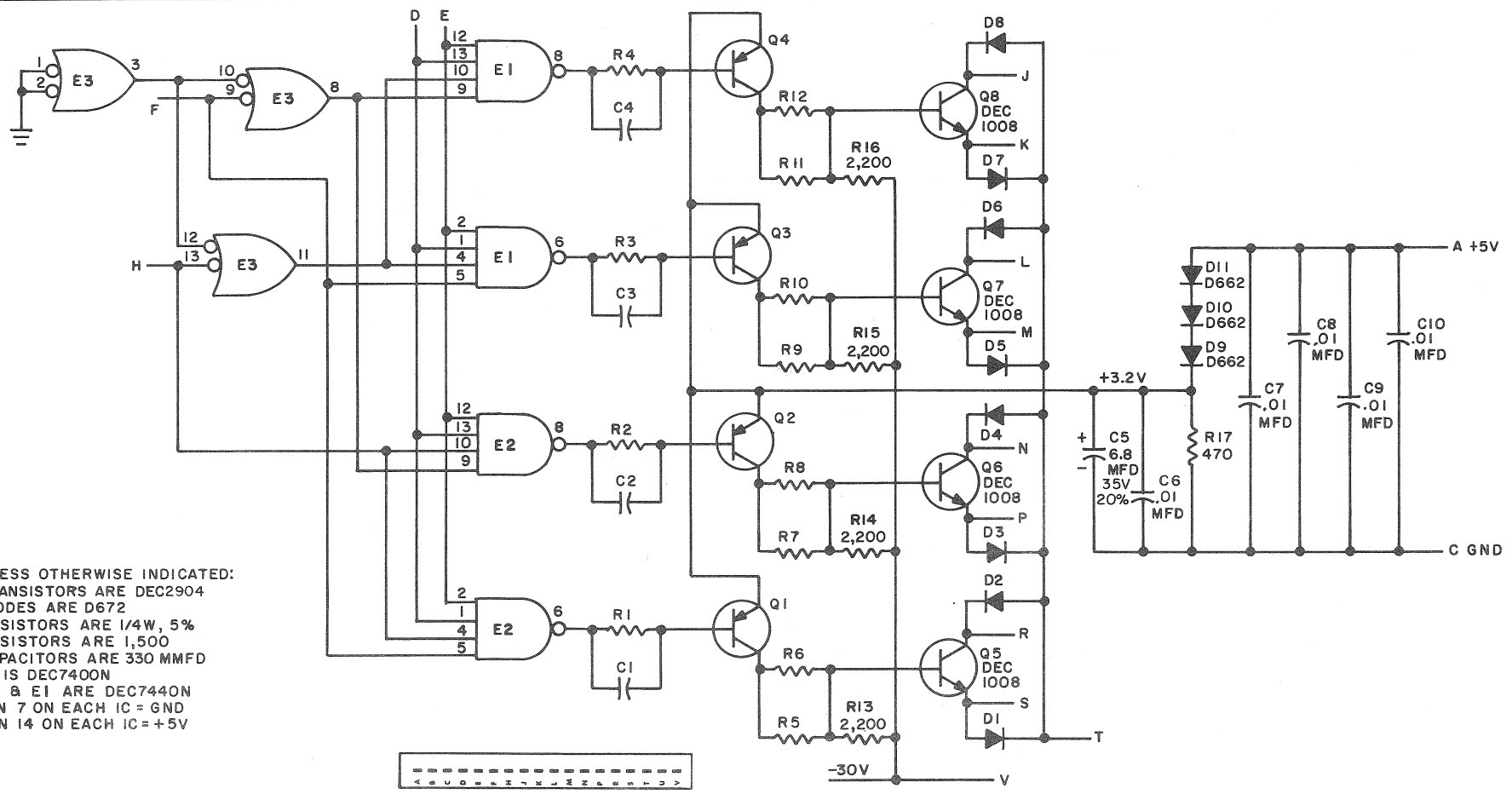


REV. C
 NUMBER G221-0-1
 CODE B CS
 SIZE

THIS SCHEMATIC IS FURNISHED ONLY FOR TEST AND MAINTENANCE PURPOSES. THE CIRCUITS ARE PROPRIETARY IN NATURE AND SHOULD BE TREATED ACCORDINGLY. COPYRIGHT 1967 BY DIGITAL EQUIPMENT CORPORATION



UNLESS OTHERWISE INDICATED:
 TRANSISTORS ARE DEC2904
 DIODES ARE D672
 RESISTORS ARE 1/4W, 5%
 RESISTORS ARE 1,500
 CAPACITORS ARE 330 MMFD
 E3 IS DEC7400N
 E2 & E1 ARE DEC7440N
 PIN 7 ON EACH IC = GND
 PIN 14 ON EACH IC = +5V

PARTS LIST IS A-PL-G221-0-1

REVISIONS CHG NO. REV. 6451 A 6508 B 00001 C	DRN. <i>M. Waller</i>	DATE 4-3-67	TRANSISTOR & DIODE CONVERSION CHART				digital EQUIPMENT CORPORATION MAYNARD, MASSACHUSETTS	TITLE MEMORY SELECTOR G221			
	CHK'D. <i>[Signature]</i>	DATE 5-3-67	DEC	EIA	DEC	EIA		SIZE B	CODE CS	NUMBER G221-0-1	REV. C
	ENG. <i>[Signature]</i>	DATE 5/15/67	DEC1008	MM1008				PRINTED CIRCUIT REV. A			
	PROD.	DATE	DEC2904	2N2904							
			D662	1N645							
			D672	1N3653							

DEC FORM NO. DRB 102

DIST. 324 434 435 PINK