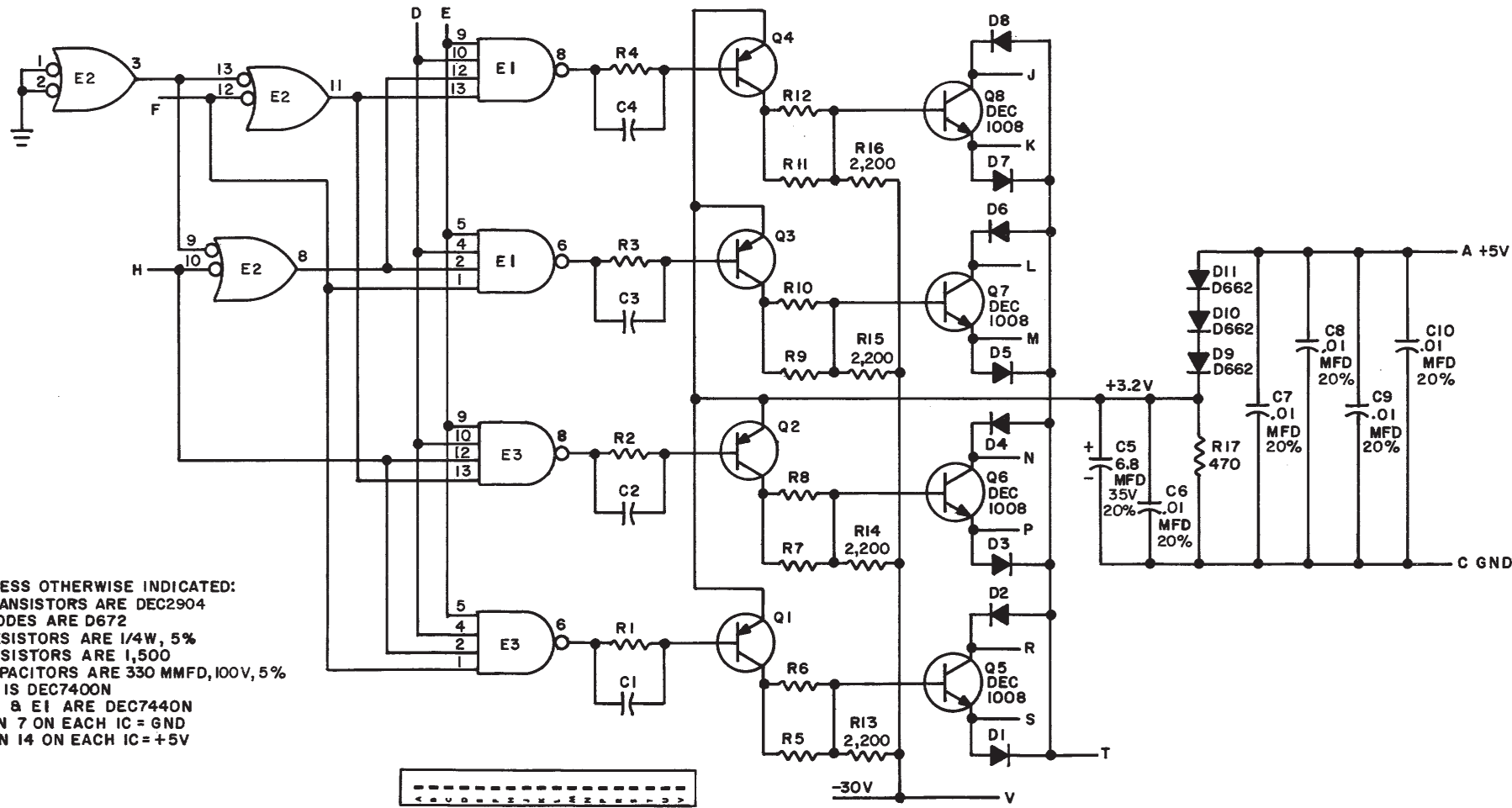


REV. D
 NUMBER G221-0-1
 SIZE B
 CODE CS
 NUMBER G221-0-1
 REV. D

THIS SCHEMATIC IS FURNISHED ONLY FOR TEST AND MAINTENANCE PURPOSES. THE CIRCUITS ARE PROPRIETARY IN NATURE AND SHOULD BE TREATED ACCORDINGLY. COPYRIGHT 1967 BY DIGITAL EQUIPMENT CORPORATION



UNLESS OTHERWISE INDICATED:
 TRANSISTORS ARE DEC2904
 DIODES ARE D672
 RESISTORS ARE 1/4W, 5%
 RESISTORS ARE 1,500
 CAPACITORS ARE 330 MMFD, 100V, 5%
 E2 IS DEC7400N
 E3 & E1 ARE DEC7440N
 PIN 7 ON EACH IC = GND
 PIN 14 ON EACH IC = +5V

PARTS LIST IS A-PL-G221-0-1

REVISIONS	CHK/CHG NO.	REV.	DRN. <i>M. Waller</i>	DATE	TRANSISTOR & DIODE CONVERSION CHART				TITLE MEMORY SELECTOR G221
	6451	A		4-3-67	DEC	EIA	DEC	EIA	
	6508	B	CHK'D	DATE	DEC2904	2N2904			EQUIPMENT CORPORATION
	00001	C	ENG	DATE	D662	IN646			SIZE B
	00004	D	PROD.	DATE	D672	IN3653			CODE CS
									NUMBER
									G221-0-1
									REV. D
									PRINTED CIRCUIT REV. B

DEC FORM NO. DRB 102

DIST. 324 434 435
 PINK