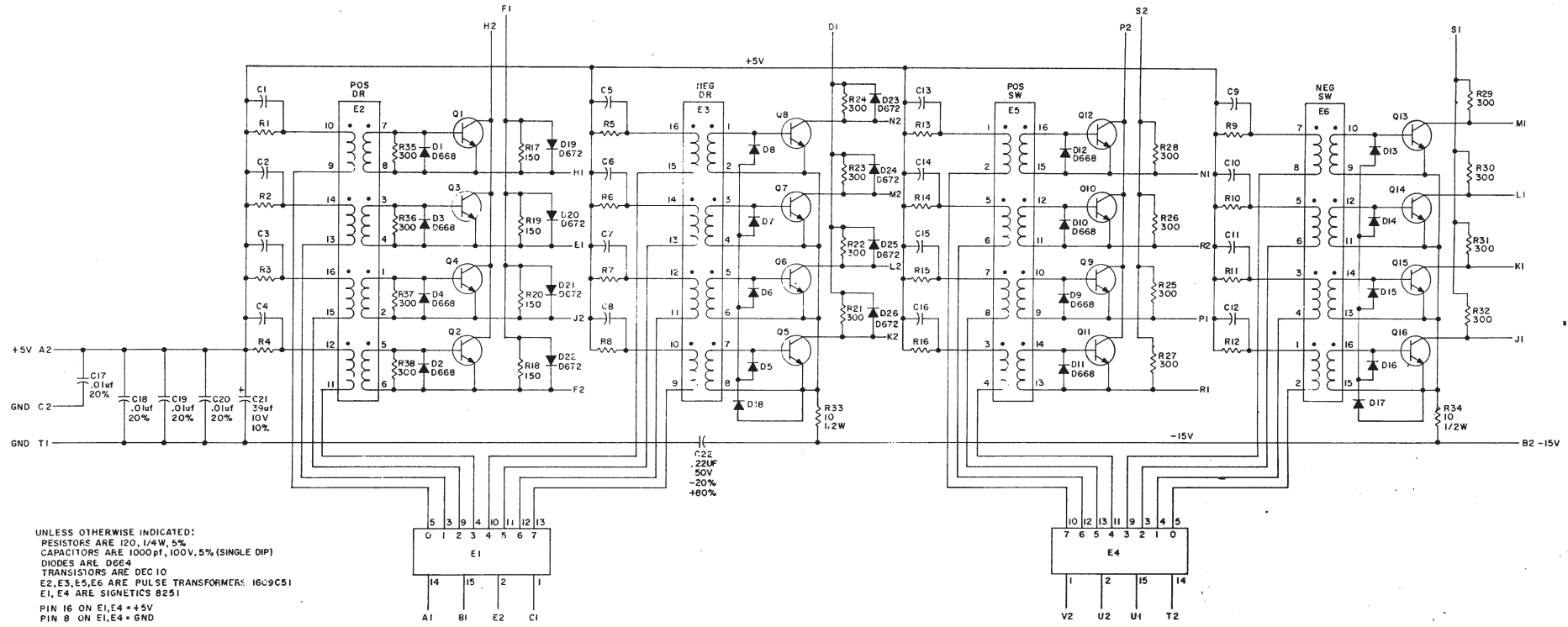
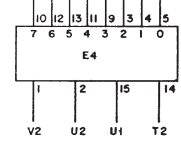
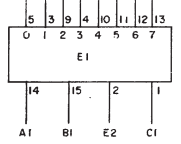


THIS SCHEMATIC IS FURNISHED ONLY FOR TEST AND MAINTENANCE PURPOSES. THE CIRCUITS ARE PROPRIETARY IN NATURE AND SHOULD BE TREATED ACCORDINGLY. COPYRIGHT 1968 BY DIGITAL EQUIPMENT CORPORATION.

Q 278 1-0-9220 S3 0 1000/1015



UNLESS OTHERWISE INDICATED:
 RESISTORS ARE 120, 1/4W, 5%
 CAPACITORS ARE 1000pF, 100V, 5% (SINGLE DIP)
 DIODES ARE D664
 TRANSISTORS ARE DEC 10
 E2, E3, E5, E6 ARE PULSE TRANSFORMERS 1609CS1
 E1, E4 ARE SIGNETICS 8251
 PIN 16 ON E1, E4 = +5V
 PIN 8 ON E1, E4 = GND



DESIGNED BY	DATE	TRANSISTOR & DIODE CONVERSION CHART				TITLE
		DEC	EIA	DEC	EIA	
OWN BUTLER	8-14-69					X-Y DECODER SWITCH
CHKD T.A. NALETTE	9-15-69					
ENG. P. SULLIVAN	1-14-70					
PROD. DATE						

DATE	CODE	NUMBER	REV
D	CS	6226-0-1	D