

Figure 2-7 G285 Series Switch, Circuit Schematic

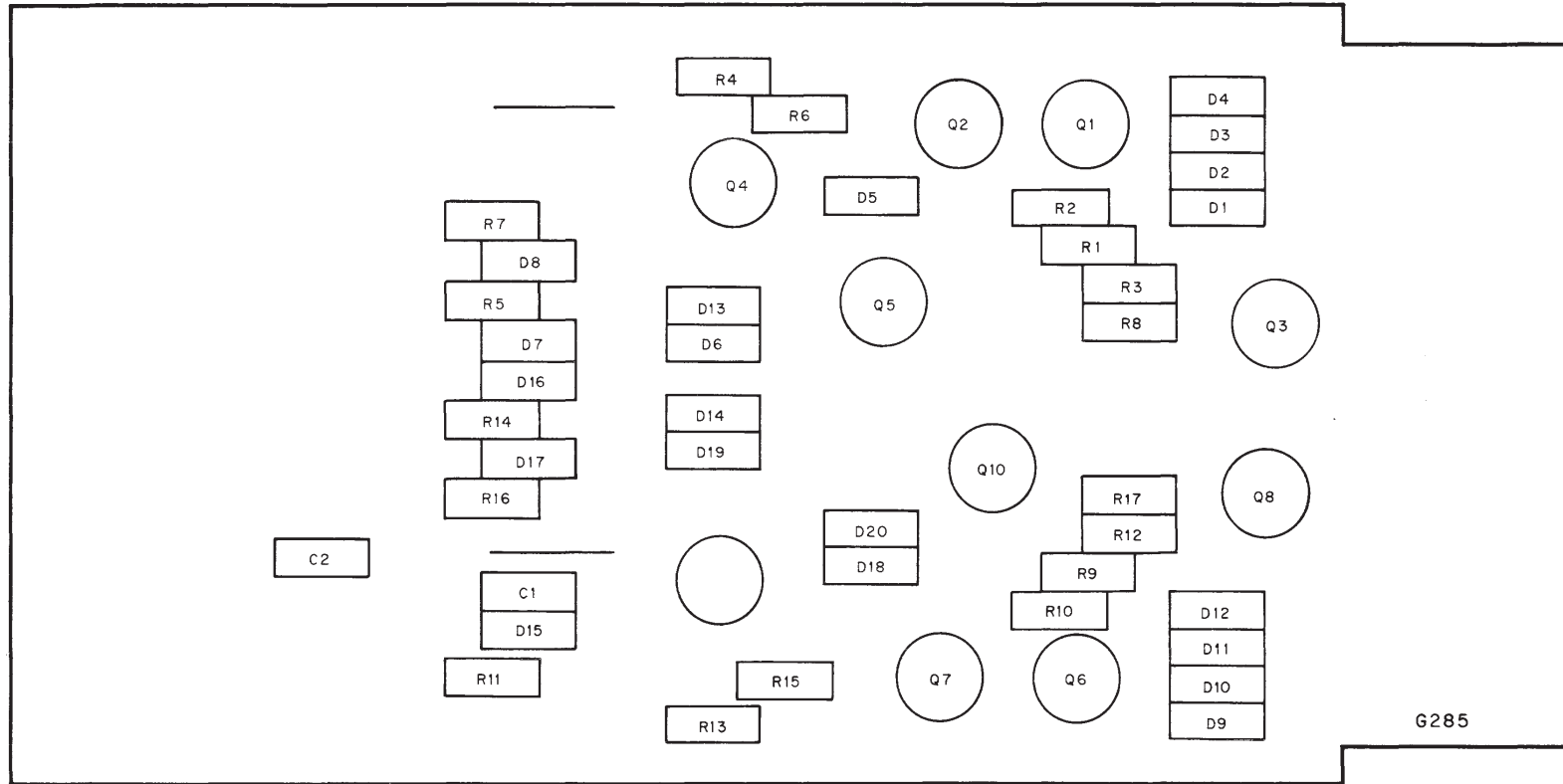


Figure 2-8 G285 Series Switch, Parts Location Diagram