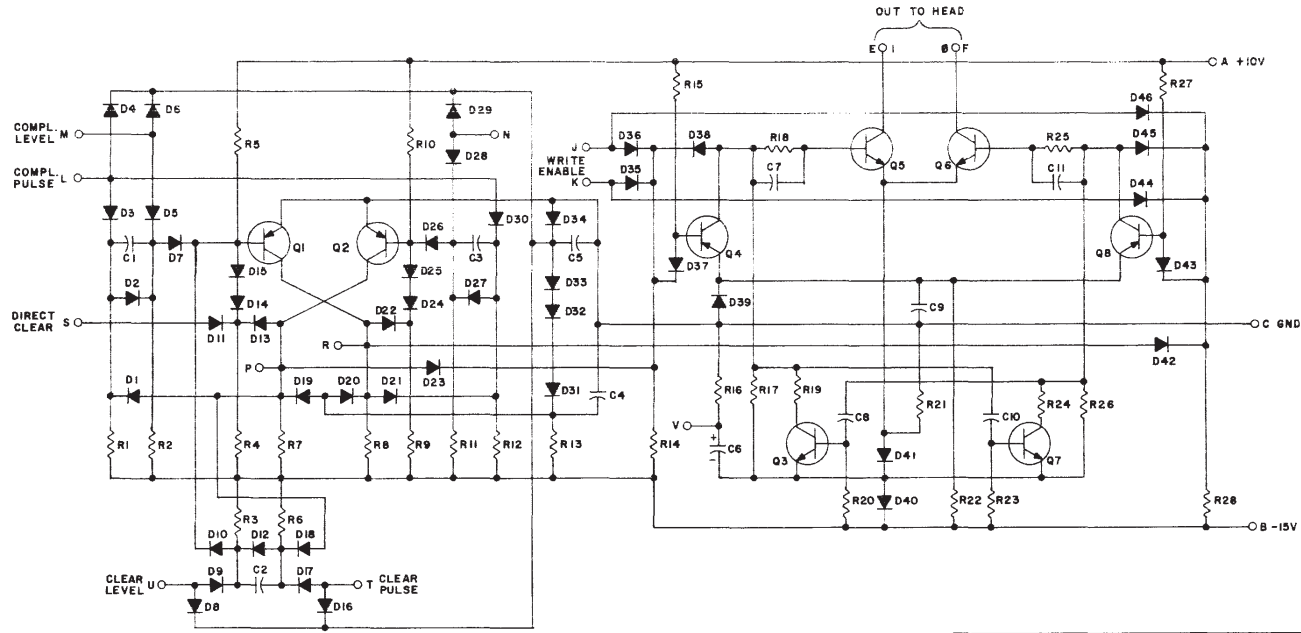


THIS SCHEMATIC IS FURNISHED ONLY FOR TEST AND MAINTENANCE PURPOSES. THE CIRCUITS ARE PROPRIETARY IN NATURE AND SHOULD BE TREATED ACCORDINGLY. COPYRIGHT 1969 BY DIGITAL EQUIPMENT CORPORATION.

2-14



Q5, Q6	TRANSISTOR DEC1008-S	1502155
Q4, Q8	TRANSISTOR DEC6534B	1503409-01
Q3, Q7	TRANSISTOR DEC3009B-S	1503100
Q1, Q2	TRANSISTOR 2N4258	1505321
R19, R24	RES. 100 1/4W 5% CC	1300229
R16	RES. 10 1/4W 10% CC	1300170
R15, R27	RES. 10K 1/4W 10% CC	1300481
R4, R28	RES. 3.3K 1/4W 5% CC	1300439
R25, R26	RES. 1.5K 1/4W 5% CC	1300391
R7, R8, R13, R17, R18, R20-R23,	RES. 100K 1/4W 5% CC	1302466
R5, R10	RES. 100K 1/4W 5% CC	1302466
R1-R4, R6, R9, R11, R12	RES. 7.5K 1/4W 5% CC	1301422
D37, D39, D40, D41, D43	DIODE 0662	1100113
D14, D15, D24, D25, D31-D34,	DIODE 0664	1100114
D35, D36, D38, D42, D44-D46	DIODE 0664	1100114
D1-D13, D16-D23, D26-D30,	CAP. 56 MMF 100V 5% D.M.	1000012
C8, C10	CAP. 220 MMF 100V 5% D.M.	1000021
C7, C11	CAP. 47 MMF 20V 20% S.TANT	1000079
C6	CAP. 0.1 MF 100V 20% DISC	1001610
C4, C5, C9	CAP. 0.2 MMF 100V 5% D.M.	1000015
C1, C2, C3	PARTS LIST	A-PL-6290-C-0
REFERENCE DESIGNATION	DESCRIPTION	PART NO.
PARTS LIST		

REVISIONS	DRN	DATE	TRANSISTOR & DIODE CONVERSION CHART				TITLE	
CHK ENG NO REY	Dr. Waller	1-10-69	DEC	EIA	DEC	EIA	WRITER FLIP FLOP G290	
	DATE	1-15-69	D662	IN645	DEC1008	MM1008	EQUIPMENT	
	ENG.	DATE	D664	IN3608			CORPORATION	
	DATE	3-1-69	2N4258	SAME			WAYNARD, MASSACHUSETTS	
	PROD.	DATE	DEC3009B	2N3009			SIZE	NUMBER
			DEC6534B	MPS8534			C	CS G290-0-1
							PRINTED CIRCUIT REV	A

Figure 2-13 G290 Writer Flip-Flop, Circuit Schematic

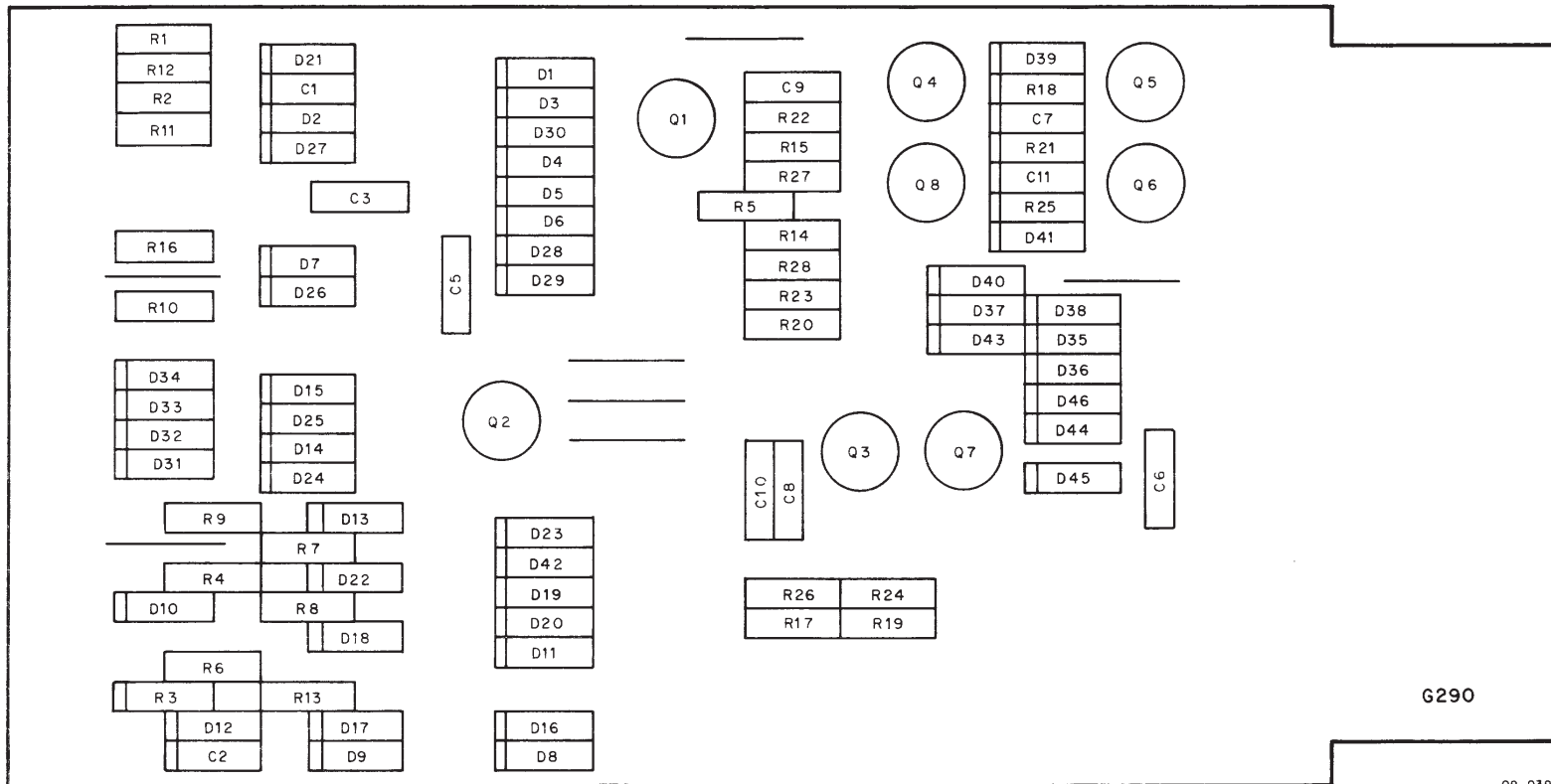


Figure 2-14 G290 Writer Flip-Flop, Parts Location Diagram