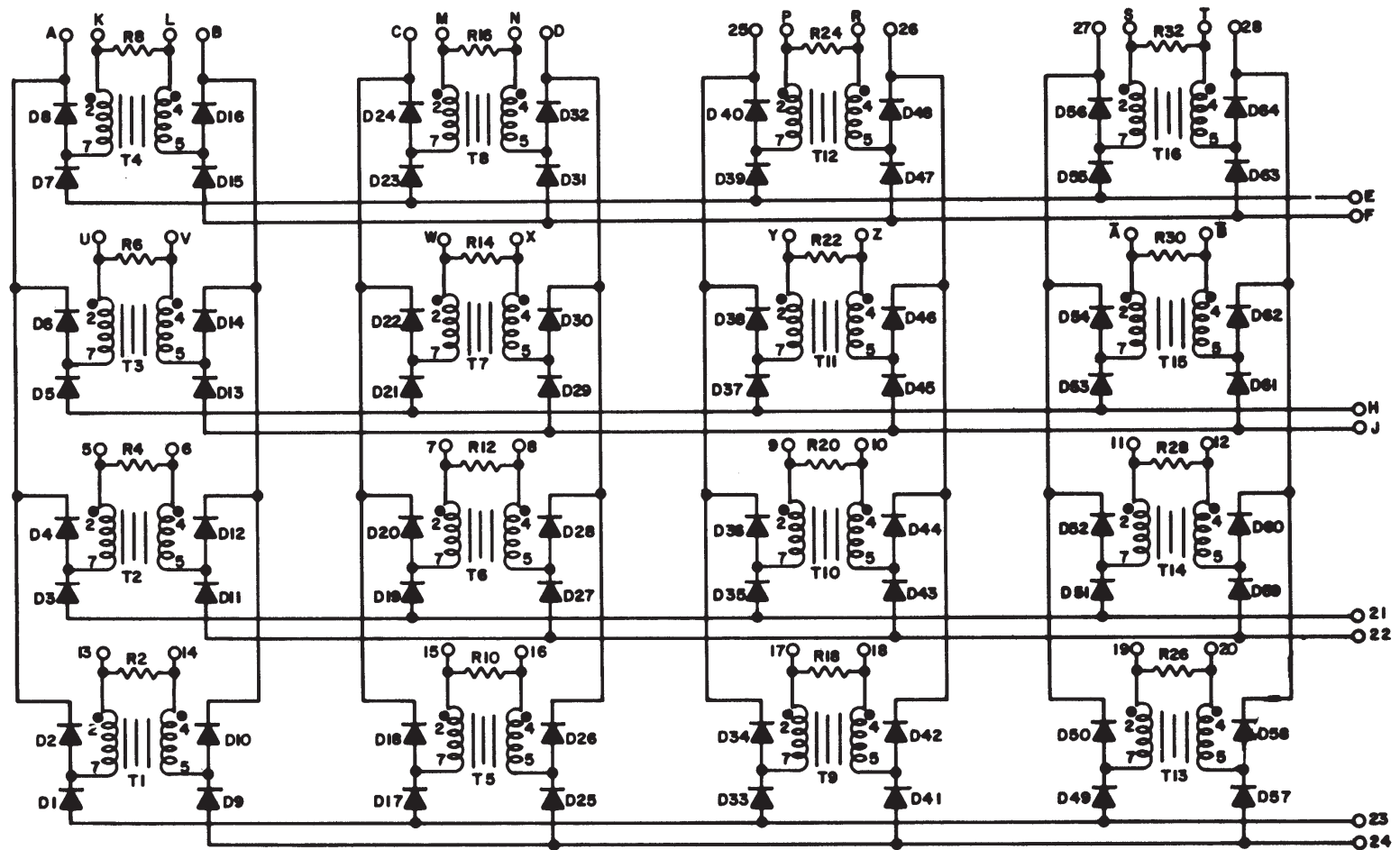


UNLESS OTHERWISE
INDICATED:
RESISTORS ARE 180;
1/4W; 10%
DIODES ARE D671
TRANSFORMERS ARE
T-2052



CS-B-G603-0-2 Memory Selection Matrix G603 (Rev E)