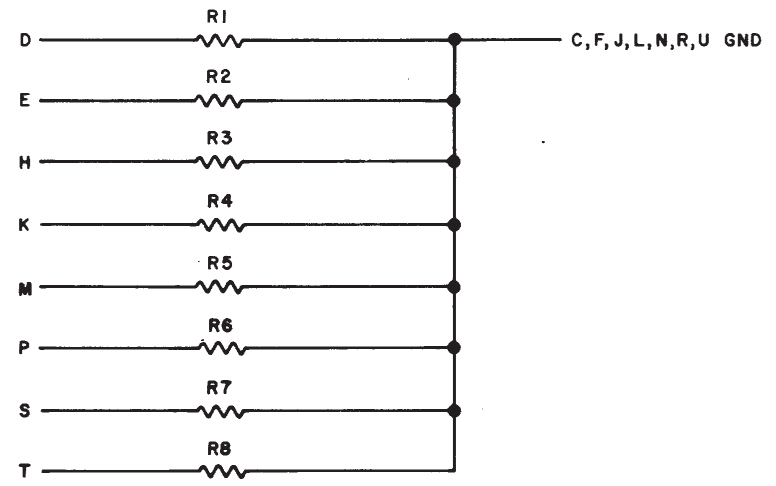


REV.	NUMBER	SIZE	CODE
	G700-YA-1	B	CS

THIS SCHEMATIC IS FURNISHED ONLY FOR TEST AND MAINTENANCE PURPOSES. THE CIRCUITS ARE PROPRIETARY IN NATURE AND SHOULD BE TREATED ACCORDINGLY. COPYRIGHT 1970 BY DIGITAL EQUIPMENT CORPORATION



UNLESS OTHERWISE INDICATED:
RESISTORS ARE 100; 1/4W; 5%

USE THE G700 ETCH

REVISIONS CHK CHG NO. REV.	DRN. <i>S. Cooper</i>	DATE 5/4/70	TRANSISTOR & DIODE CONVERSION CHART				digital EQUIPMENT CORPORATION MAYNARD, MASSACHUSETTS	TITLE 100Ω TERMINATOR G700-YA							
	CHK'D <i>M. Waller</i>	DATE 5/4/70	DEC	EIA	DEC	EIA		SIZE	CODE	NUMBER	REV.				
	ENR. <i>J. Dunbar</i>	DATE 5/20/70						B	CS	G700-YA-1					
	PROP. <i>D. Wall</i>	DATE 10/5/70						PRINTED CIRCUIT REV. <table border="1"><tr><td>B</td><td></td><td></td><td></td><td></td><td></td></tr></table>				B			
B															