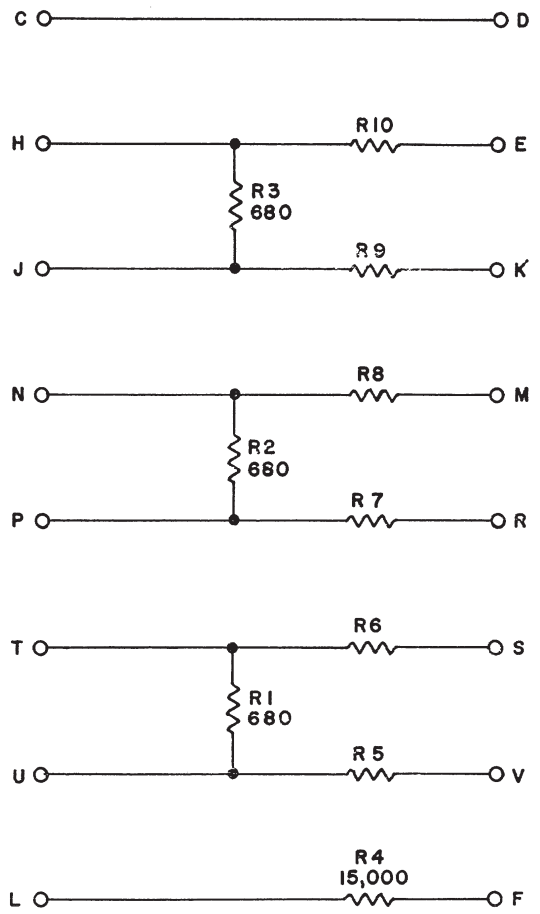


THIS SCHEMATIC IS FURNISHED ONLY FOR TEST AND MAINTENANCE PURPOSES. THE CIRCUITS ARE PROPRIETARY IN NATURE AND SHOULD BE TREATED ACCORDINGLY. COPYRIGHT 1967 BY DIGITAL EQUIPMENT CORPORATION



UNLESS OTHERWISE INDICATED:  
RESISTORS ARE 1,000  
RESISTORS ARE 1/4W, 5%



PARTS LIST A-PL-G706-0-0

REVISIONS CHK CHG NO. REV.		DRN. <i>M. Waller</i>	DATE <i>10-12-67</i>	TRANSISTOR & DIODE CONVERSION CHART				<b>digital</b> EQUIPMENT CORPORATION MAYNARD, MASSACHUSETTS	TITLE <b>DECTAPE ATTENUATOR G706</b>				
			CHK'D <i>[Signature]</i>	DATE <i>11/12/67</i>	DEC	EIA	DEC		EIA	SIZE	CODE	NUMBER	REV.
			ENG. <i>D. [Signature]</i>	DATE <i>10/16/67</i>						B	CS	G706-0-1	A
			PROD. I	DATE						PRINTED CIRCUIT REV.			
										A B			