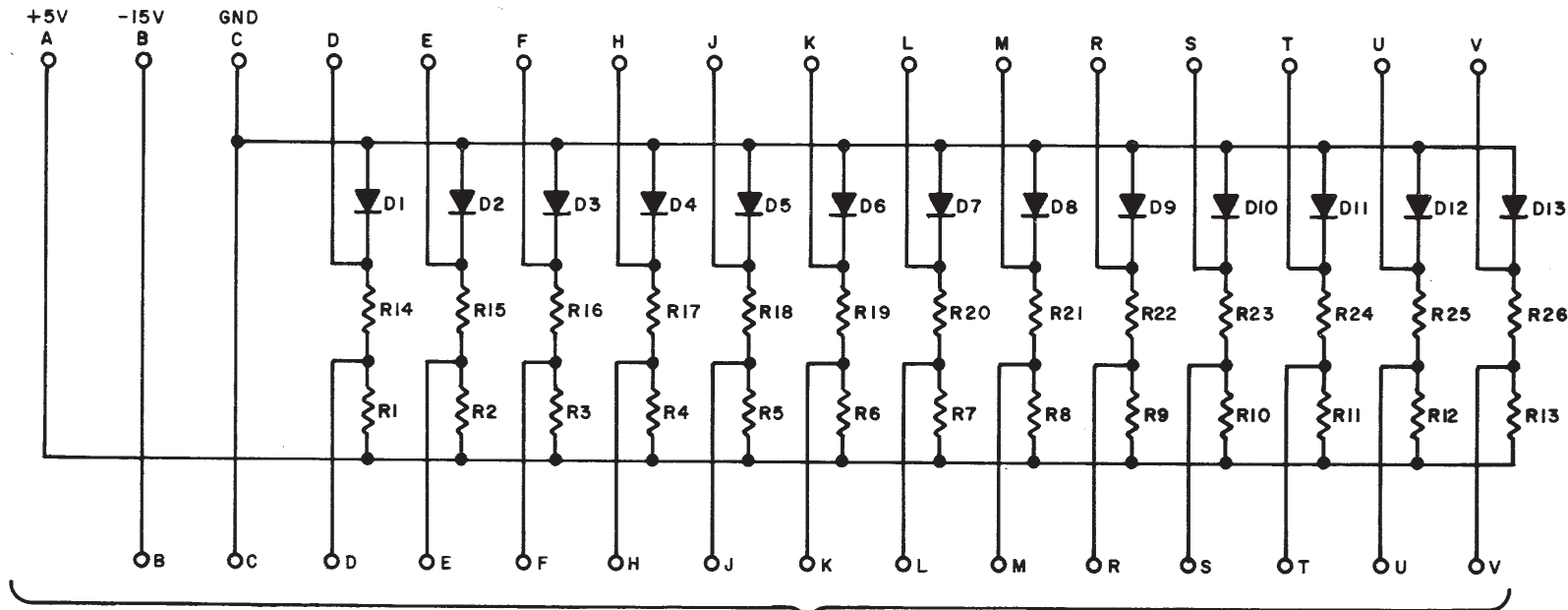


REV. B  
 NUMBER 6793-0-1  
 CODE CS  
 SIZE B

THIS SCHEMATIC IS FURNISHED ONLY FOR TEST AND MAINTENANCE PURPOSES. THE CIRCUITS ARE PROPRIETARY IN NATURE AND SHOULD BE TREATED ACCORDINGLY. COPYRIGHT 1968 BY DIGITAL EQUIPMENT CORPORATION



FLEXPRINT



R1 THRU R13	RES. 6.8K 1/4W 10% CC	1300463
R14 THRU R26	RES. 1.5K 1/4W 5% CC	1300391
D1 THRU D13	DIODE D664	1100114
	PARTS LIST	A-PL-6793-0-0
REFERENCE DESIGNATION	DESCRIPTION	PART NO.

PARTS LIST

REVISIONS	CHK/CHG NO. REV.	DRN.	DATE
	00001 A	Mr. Miller	1-9-68
	00002 B	R. Schreman	11/15/68
		ENG. Sogge	2/22/69
		PROD.	

TRANSISTOR & DIODE CONVERSION CHART			
DEC	EIA	DEC	EIA
D664	1N3606		



TITLE PDP-8I SWITCH CONNECTOR G793			
SIZE B	CODE CS	NUMBER G793-0-1	REV. B
PRINTED CIRCUIT REV.			B

Pink 5

DIST. 324 434 435