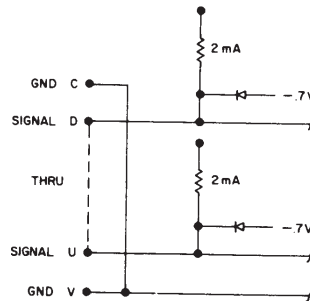


G796 LEVEL TERMINATING CABLE CONNECTOR

Standard Size FLIP CHIP Module Without Handle, 18 Pins



The G796 cable connector provides an end for 14 circuit cables formed from 2 flat, flexible cables made of Flex Print or Tape Cable. A 2 mA level terminator (level terminator plus 2 mA clamped load) is connected to each signal line to control overshoot and ringing as described in Chapter 11. Only signals using DEC standard levels of -3 V and ground can be transmitted through this cable. All signal lines are separated by at least one grounded line in the cable to reduce cross-talk.

SIGNAL CIRCUITS: Circuits suitable for transmission of DEC standard levels of -3 V and ground are available at pins D, E, F, H, J, K, L, M, N, P, R, S, T, and U. Load is 4 mA at ground (2 mA at each end). -3.2 mA is supplied at -3 V to discharge capacitance.

POWER: (at each end of the cable)

Pin	Voltage	Margin Range	Current
A	not used - connection optional		
B	-15 V	-7.5 V to -20 V	60 mA
C,V	ground		

Pins C and V must both be grounded.

CABLE: The G796-G796 Tape Cable assembly is available as DEC part number 7005469. The length must be specified. Length is measured from the back end (handle end) of each cable connector.