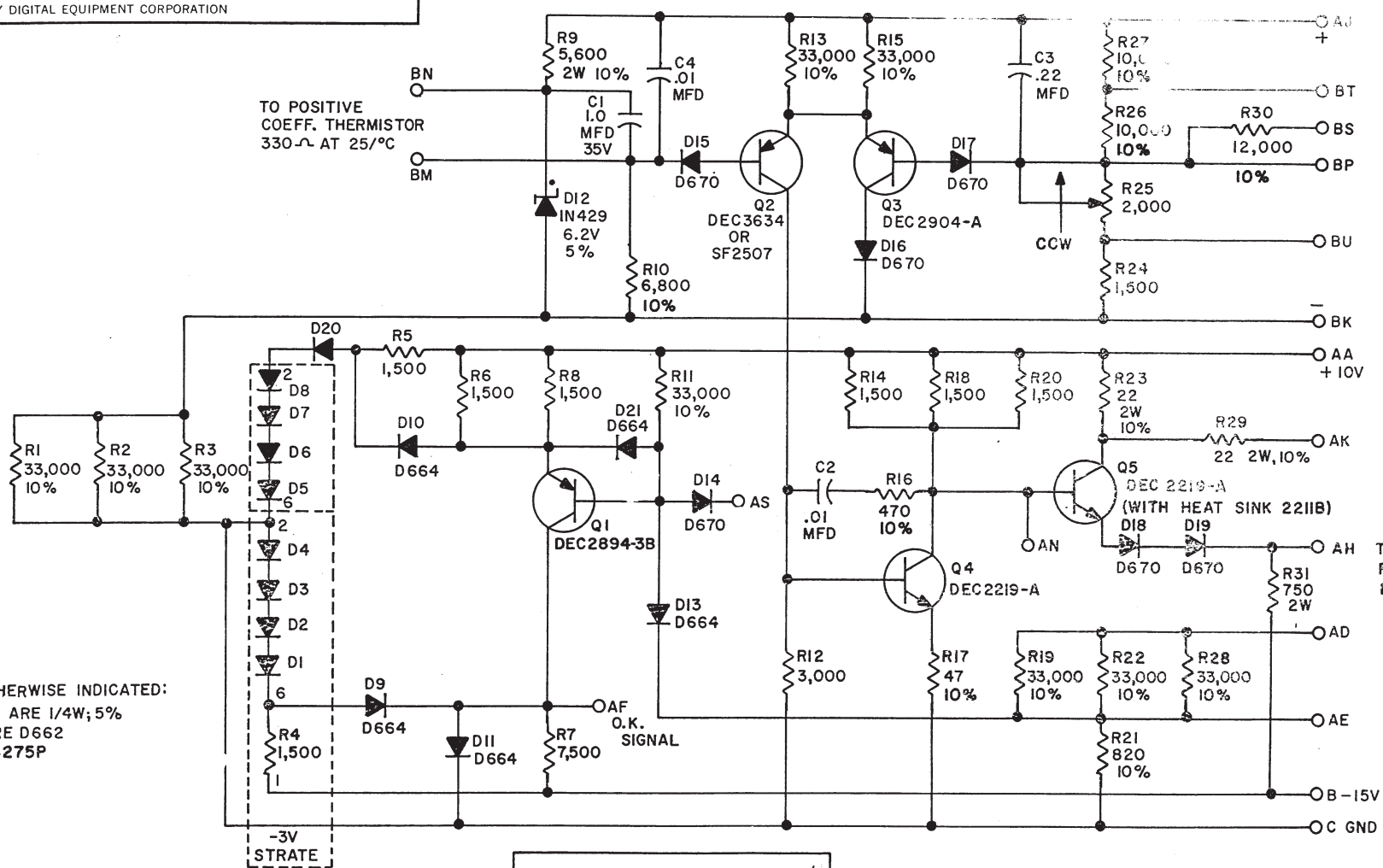


THIS SCHEMATIC IS FURNISHED ONLY FOR TEST AND MAINTENANCE PURPOSES. THE CIRCUITS ARE PROPRIETARY IN NATURE AND SHOULD BE TREATED ACCORDINGLY. COPYRIGHT 1964 BY DIGITAL EQUIPMENT CORPORATION

SIZE CODE NUMBER



UNLESS OTHERWISE INDICATED:
RESISTORS ARE 1/4W; 5%
DIODES ARE D662
R25 IS A #275P

A B C D E F G H I J K L M N O P Q R S T U V W X Y Z

REV. NO.	CHK	CHG. NO.	REV.
1	DAW	4324	
2	DAW	4658	REV. & REDR.
3	DAW	5225	REV. & REDR.
4	DAW	5405	REV. & REDR.
5	DAW	5421	REV. & REDR.
6	DAW	5455	REV. & REDR.
7	DAW	5455	REV. & REDR.
8	DAW	5821	REV. & REDR.
9	DAW	5893	REV. & REDR.

DRN. H. PORTER	DATE 10-17-64
CHK'D N. PERRYMAN	DATE 10-17-64
ENG. D. WARDIMON	DATE 10-17-64
PROD.	DATE

TRANSISTOR & DIODE CONVERSION CHART			
DEC	EIA	DEC	EIA
DEC 2894-3B	SAME	D662	IN645
DEC 2219-A	2N2219-A	D664	IN3606
DEC 2904-A	2N2904-A	D670	IN3653
DEC 3634	2N3634	IN429	SAME
SF 2507	DEC SF2507		

digital
EQUIPMENT CORPORATION
MAYNARD, MASSACHUSETTS

TITLE CONTROL FOR 739 POWER SUPPLY G800			
SIZE B	CODE CS	NUMBER G800-0-1	REV. L
PRINTED CIRCUIT REV.			H