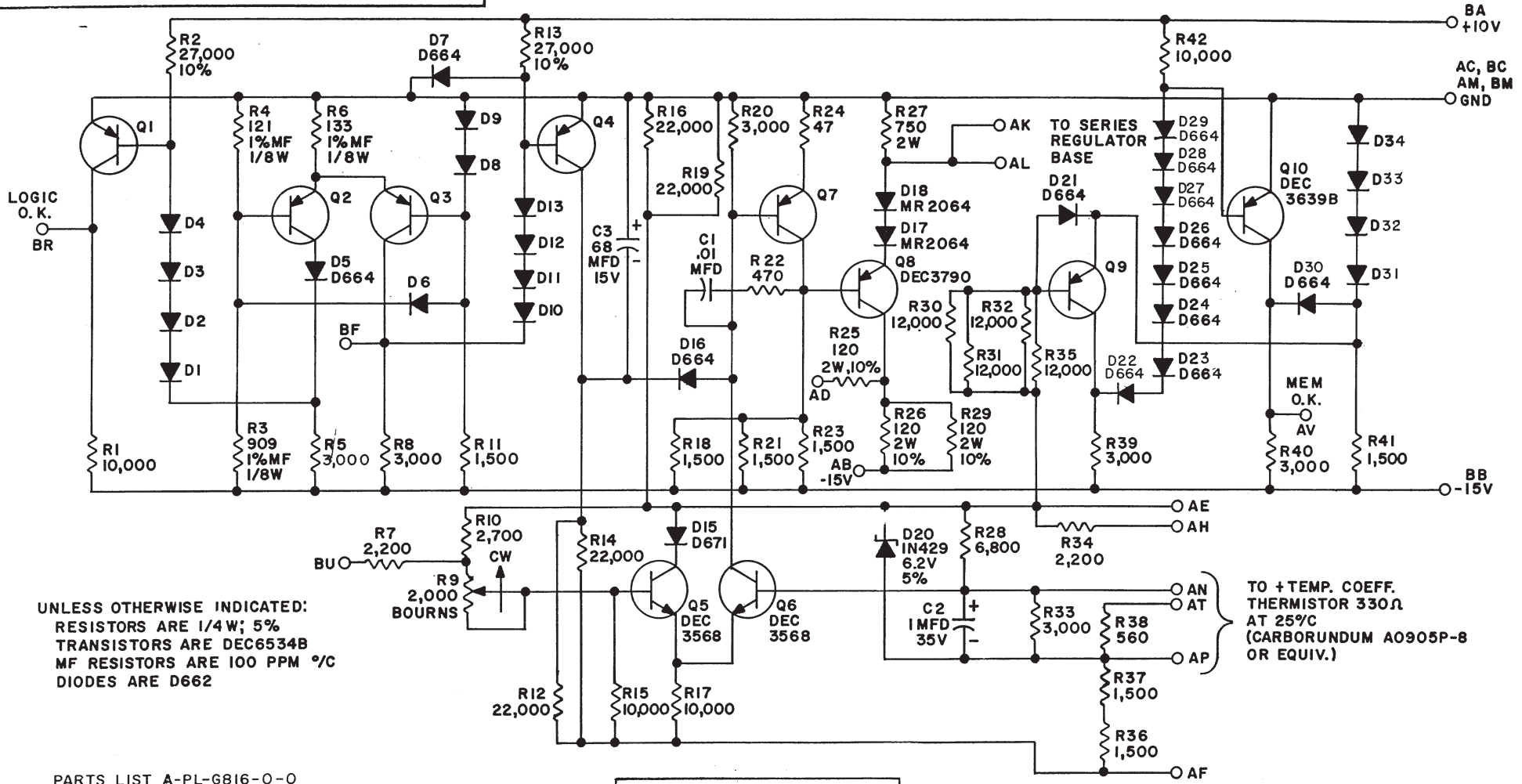


THIS SCHEMATIC IS FURNISHED ONLY FOR TEST AND MAINTENANCE PURPOSES. THE CIRCUITS ARE PROPRIETARY IN NATURE AND SHOULD BE TREATED ACCORDINGLY. COPYRIGHT 1967 BY DIGITAL EQUIPMENT CORPORATION



UNLESS OTHERWISE INDICATED:
 RESISTORS ARE 1/4W; 5%
 TRANSISTORS ARE DEC6534B
 MF RESISTORS ARE 100 PPM /°C
 DIODES ARE D662

TO +TEMP. COEFF.
 THERMISTOR 330Ω
 AT 25°C
 (CARBORUNDUM A0905P-8
 OR EQUIV.)

PARTS LIST A-PL-G816-0-0

REVISIONS CHK. NO. REV. 6941 A 00001 B	DRN. <i>m. Vallu</i>	DATE 9-5-67	TRANSISTOR & DIODE CONVERSION CHART				digital EQUIPMENT CORPORATION MAYNARD, MASSACHUSETTS	TITLE REGULATOR CONTROL G816			
	CHK'D	DATE	DEC	EIA	DEC	EIA		SIZE B	CODE CS	NUMBER	REV. B
	ENG. <i>P. Sullivan</i>	DATE 9/7/67	DEC3568	2N3568	D662	IN645				G816-0-1	
	PROD.	DATE 9/7/67	DEC3639B	2N3639	D664	IN3606					
			DEC3790	2N3790	D671	IN3653					
			DEC6534B	MPS6534	IN429	SAME					
			MR2064	IN4001							

PINK

Dist. 824 934 1135 337