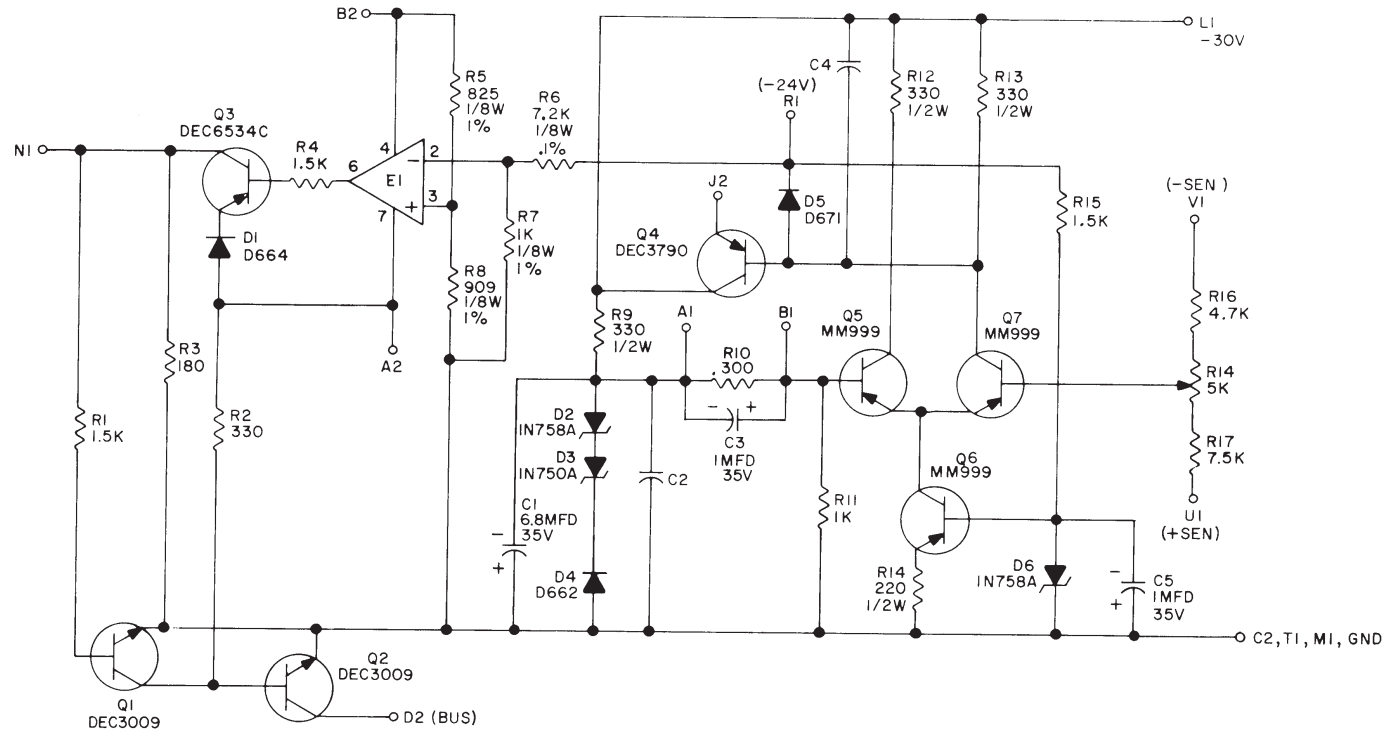


THIS SCHEMATIC IS FURNISHED ONLY FOR TEST AND MAINTENANCE PURPOSES. THE CIRCUITS ARE PROPRIETARY IN NATURE AND SHOULD BE TREATED ACCORDINGLY. COPYRIGHT 1969 BY DIGITAL EQUIPMENT CORPORATION.



UNLESS OTHERWISE INDICATED:
CAPACITORS ARE .01MFD
RESISTORS ARE 1/4W, 5%
E1 IS MC1709CG

REVISIONS	CHK	CHG NO	REV
	PA	00001	C

DRN	3/11/69	DATE	7/23/69
CHK'D	J. Auletto	DATE	7/30/69
ENG	N.S. Gomer	DATE	7/30/69
PROD		DATE	

TRANSISTOR & DIODE CONVERSION CHART			
DEC	EIA	DEC	EIA
D662	IN645	MM999	SAME
D664	IN3606	DEC3790	2N3790
D671	IN3653	DEC6534C	MPS6534
IN758A	SAME	DEC3009	2N3009
IN750A	SAME		

digital
EQUIPMENT
CORPORATION
MAYNARD, MASSACHUSETTS

TITLE -24V REGULATOR
CONTROL G823

SIZE	CODE	NUMBER	REV
B	CS	G823-0-1	C
PRINTED CIRCUIT REV			B C