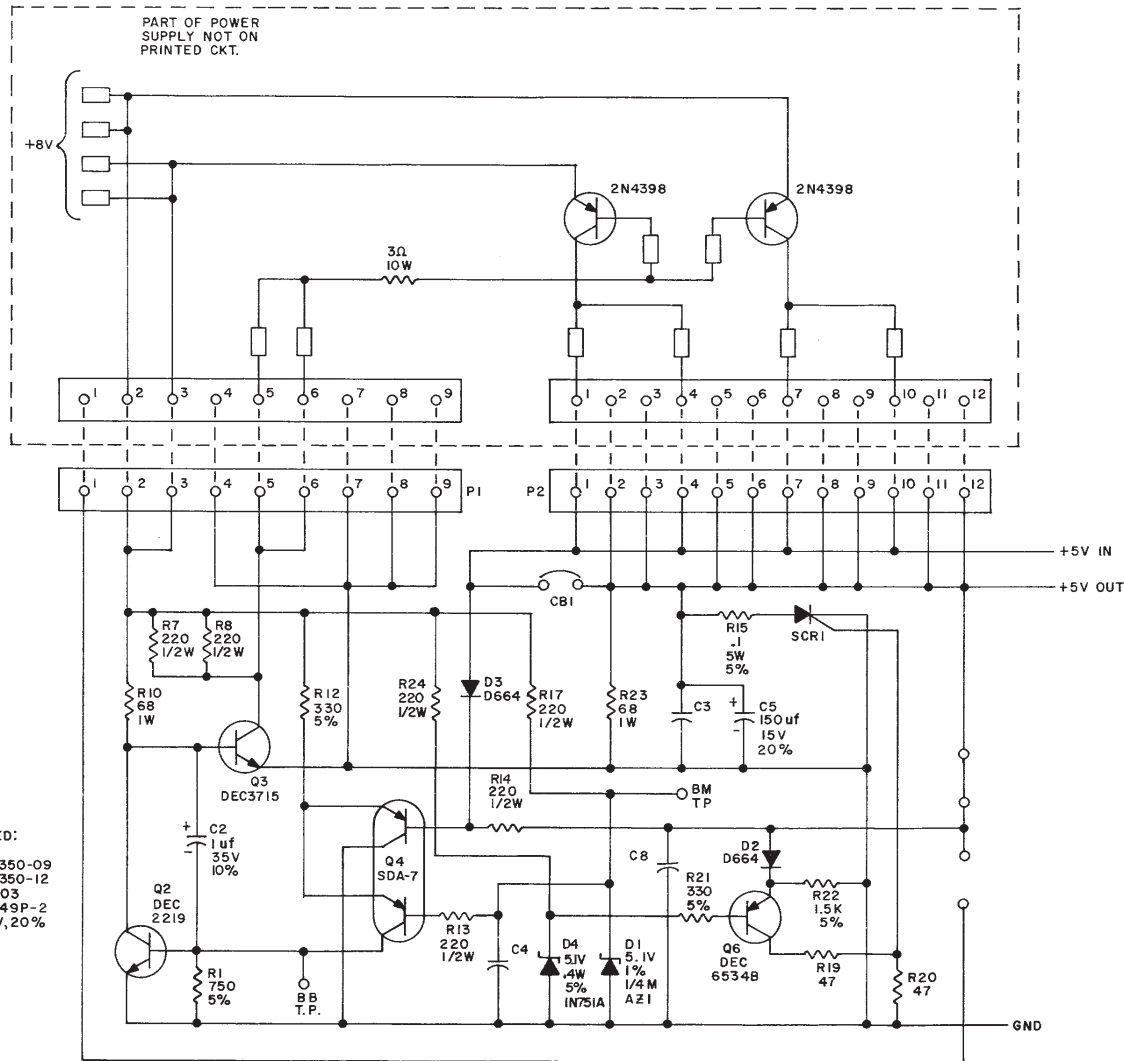


THIS SCHEMATIC IS FURNISHED ONLY FOR LIST AND MAINTENANCE PURPOSES. THE CIRCUITS ARE PROPRIETARY IN NATURE AND SHOULD BE TREATED ACCORDINGLY. COPYRIGHT 1969 BY DIGITAL EQUIPMENT CORPORATION.



UNLESS OTHERWISE INDICATED:
 RESISTORS ARE 1/4W, 10%
 P1 IS SOCKET HOUSING 1209350-09
 P2 IS SOCKET HOUSING 1209350-12
 CB1 IS AIRPAX #UPLI-50-0203
 SCR1 IS A RECTIFIER MCR649P-2
 CAPACITORS ARE .01uf, 100V, 20%

REVISIONS	CHK'D	NO.	REV.
		00001	B
		00002	C

DRN	DATE
<i>Dr. Muller</i>	8-1-69
CHK'D	DATE
<i>W. Younger</i>	5-7-69
ENG	DATE
<i>W. Dale</i>	5/15/69
PROD.	DATE

TRANSISTOR & DIODE CONVERSION CHART			
	DEC	EIA	
D664		IN3606	
5.1V 1/4M AZ1	NONE		
DEC6534B		MPS6534	
DEC2219		2N2219	
DEC3715		NONE	

digital
 EQUIPMENT CORPORATION
 MAYNARD, MASSACHUSETTS

TITLE		+5 VOLT REGULATOR G824	
SIZE	CODE	NUMBER	REV.
C	CS	G824-0-1	C
PRINTED CIRCUIT REV.			B

REV. NUMBER