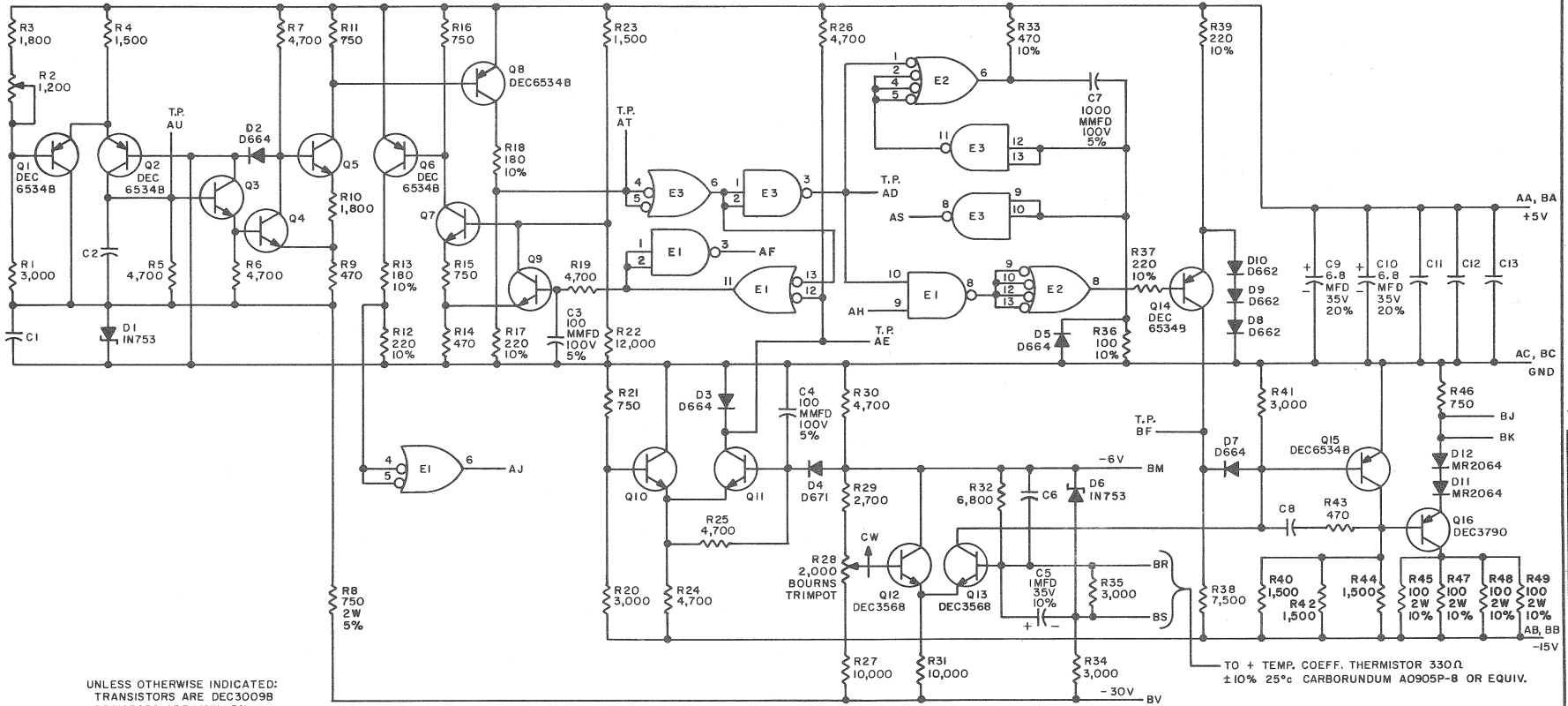


THIS SCHEMATIC IS FURNISHED ONLY FOR TEST AND MAINTENANCE PURPOSES. THE CIRCUITS ARE PROPRIETARY IN NATURE AND SHOULD BE TREATED ACCORDINGLY. COPYRIGHT 1967 BY DIGITAL EQUIPMENT CORPORATION



UNLESS OTHERWISE INDICATED:  
 TRANSISTORS ARE DEC3009B  
 RESISTORS ARE 1/4W, 5%  
 CAPACITORS ARE .01 MFD  
 E1 & E3 ARE DEC7400N  
 E2 IS DEC7440N  
 PIN 7 ON EACH IC = GND  
 PIN 14 ON EACH IC = +5V  
 R2 IS POT CODE #13-05778-3

PARTS LIST A-PL-6826-0-0

REVISIONS  
 CHK (CHG NO.) REV. E  
 6923

DRN: M. Waller  
 DATE: 5-10-67  
 CHK'D: [Signature]  
 DATE: 5/15/67  
 PROD: 4

TRANSISTOR & DIODE CONVERSION CHART			
DEC		EIA	
DEC3009B	2N3009	D664	IN3606
DEC3568	2N3568	D671	IN3653
DEC6534B	MP6534		
DEC3790	2N3790	IN 753	SAME
D662	IN645	MR2064	IN4001

**digital**  
 EQUIPMENT CORPORATION  
 MAYNARD, MASSACHUSETTS

TITLE: REGULATOR CONTROL G826  
 SIZE: C CODE: CS NUMBER: G826-0-1 REV. E  
 PRINTED CIRCUIT REV. D

REV. L  
 NUMBER G826-0-1  
 SIZE CODE CS

DST. 324 434/855 PINK