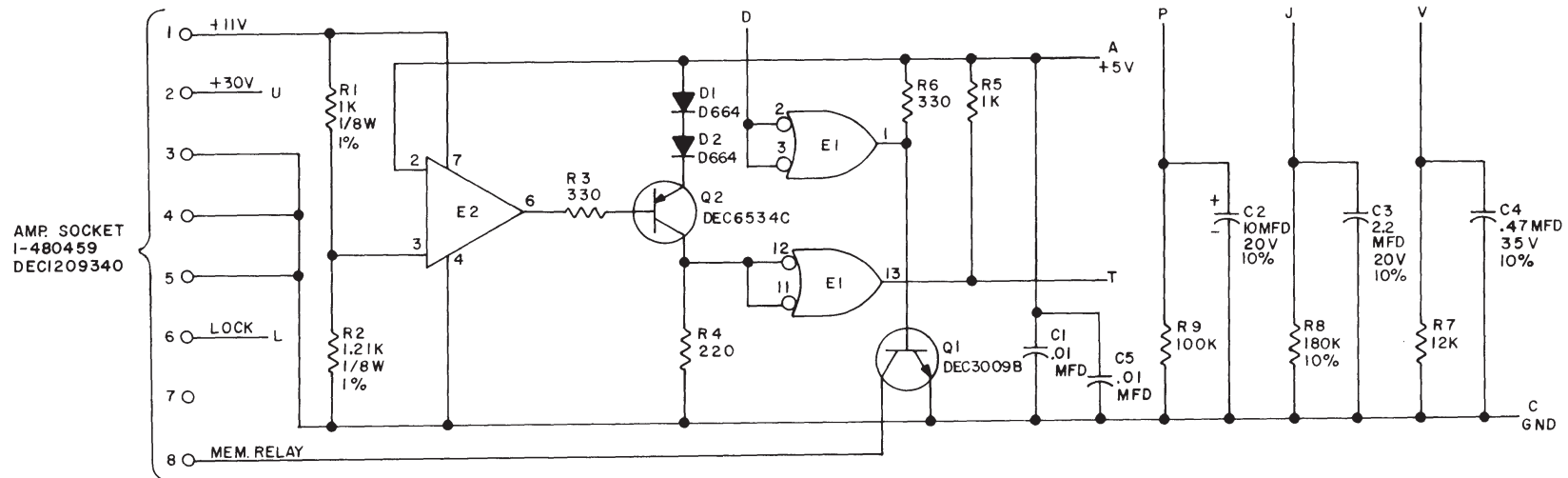


THIS SCHEMATIC IS FURNISHED ONLY FOR TEST AND MAINTENANCE PURPOSES. THE CIRCUITS ARE PROPRIETARY IN NATURE AND SHOULD BE TREATED ACCORDINGLY. COPYRIGHT 1969 BY DIGITAL EQUIPMENT CORPORATION



UNLESS OTHERWISE INDICATED
 CAPACITORS ARE 100V, 20%
 RESISTORS ARE 1/4 W, 5%
 PIN 7 ON E1 = GND
 PIN 14 ON E1 = +5V
 E1 IS DEC 7401N
 E2 IS MC1709CG

REVISIONS	CHK	CHG NO	REV
		00001	B

DRN	DATE
<i>F. Salomon</i>	8-6-68
CHK'D	DATE
<i>polite</i>	8/16/68
ENG	DATE
<i>F. Salomon</i>	10/2/69
PROD	DATE

TRANSISTOR & DIODE CONVERSION CHART			
DEC	EIA	DEC	EIA
D664	1N3606		
DEC3009C	2N3009		
DEC6534	MPS6534		

digital
 EQUIPMENT CORPORATION
 MAYNARD, MASSACHUSETTS

TITLE			
POWER SEQUENCE DELAYS AND DECODER G827			
SIZE	CODE	NUMBLR	REV
B	CS	G 827-0-1	B
PRINTED CIRCUIT REV			A