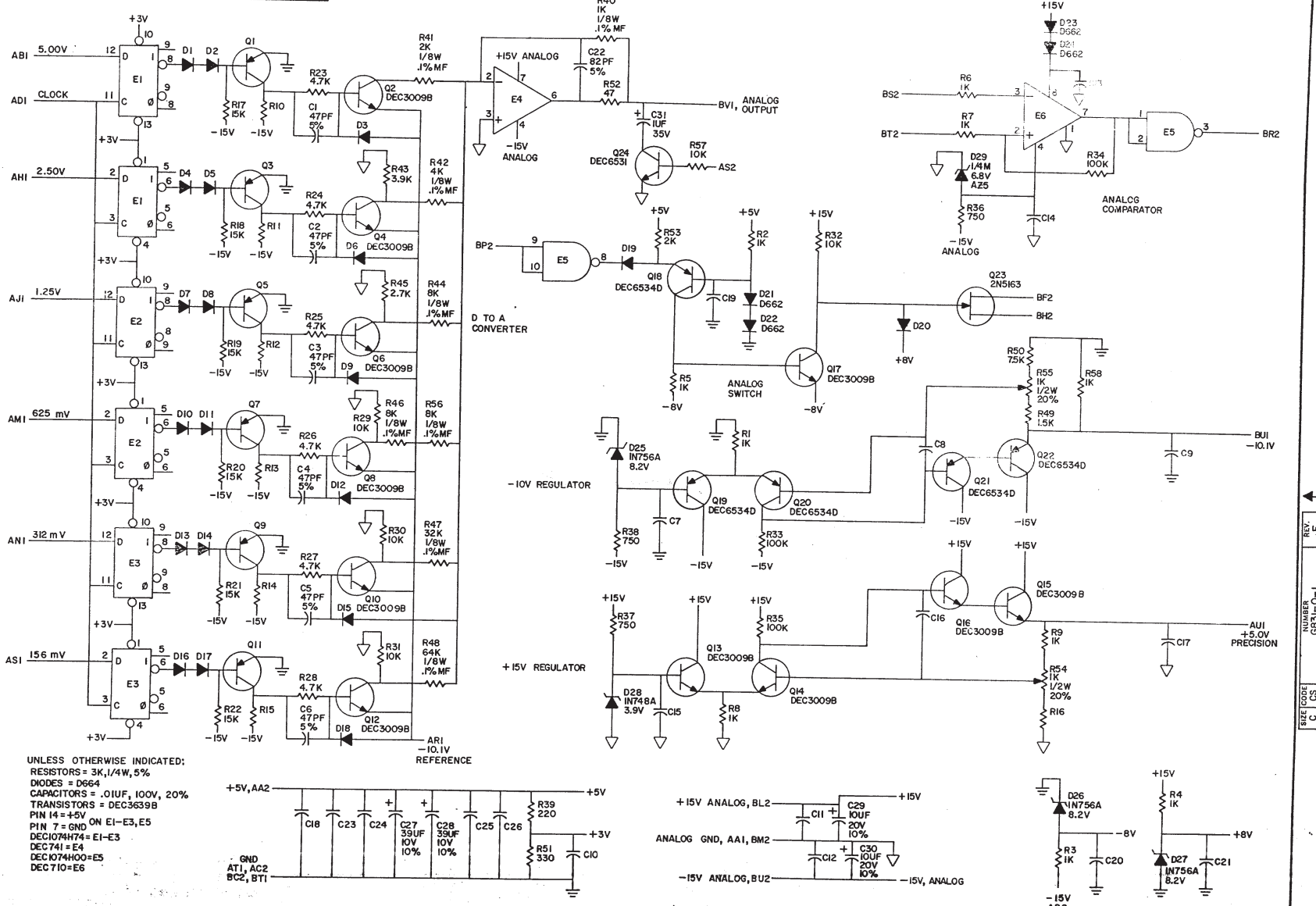


THIS SCHEMATIC IS FURNISHED ONLY FOR TEST AND MAINTENANCE PURPOSES. THE CIRCUITS ARE PROPRIETARY IN NATURE AND SHOULD BE TREATED ACCORDINGLY. COPYRIGHT 1971, BY DIGITAL EQUIPMENT CORPORATION



UNLESS OTHERWISE INDICATED:
 RESISTORS = 3K, 1/4W, 5%
 DIODES = D664
 CAPACITORS = .01UF, 100V, 20%
 TRANSISTORS = DEC3639B
 PIN 14 = +5V
 PIN 7 = GND ON E1-E3, E5
 DEC1074H74 = E1-E3
 DEC 741 = E4
 DEC1074H00 = E5
 DEC 710 = E6

REVISIONS	CHK	CHG	NO.	REV.

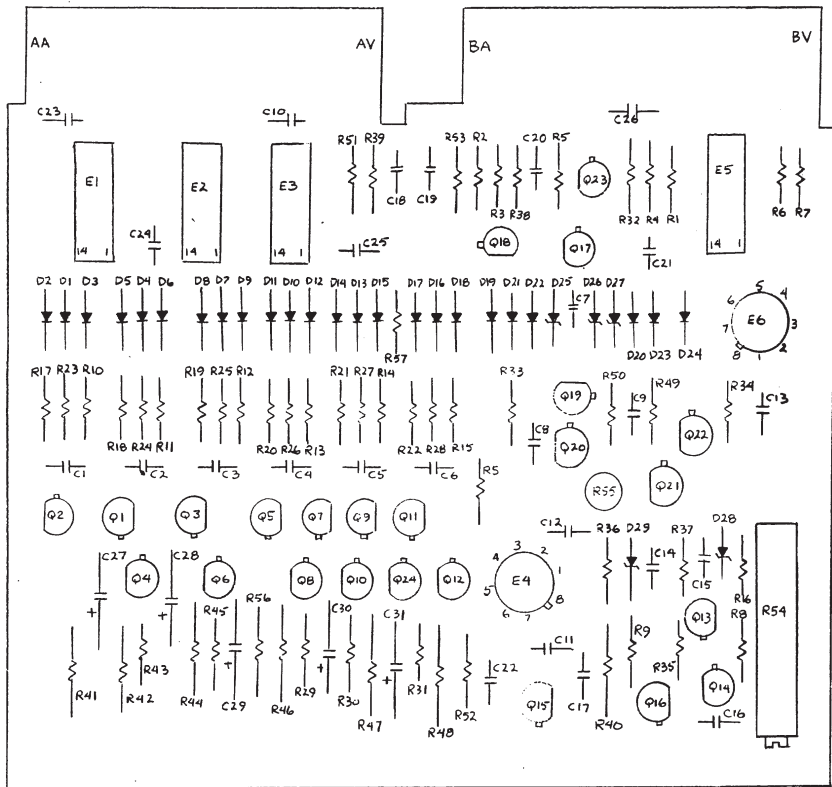
DRN. <i>W. H. M. 8/1</i>	DATE <i>1/11/71</i>
CHK'D <i>ORDWAY</i>	DATE <i>1/22/71</i>
ENG. <i>J. DREW</i>	DATE <i>2/16/71</i>
PROD.	DATE

TRANSISTOR & DIODE CONVERSION CHART			
DEC	EIA	DEC	EIA
D662	IN4545	DEC3639B	2N3639
D66.4	IN3606	DEC3009B	2N3009
1/4M 6.8 AZ3	IN4099	DEC6534B	MPS6534
IN756A 8.2V SAME	IN756A	ZN5163	MPS6534
IN748A 3.3V SAME	IN748A	DEC6531	MPS6531

digital	TITLE		
	6 BIT D/A COMPARATOR & SWITCH		
EQUIPMENT CORPORATION	SIZE	CODE	NUMBER
	C	CS	G631-O-1
MAYNARD, MASSACHUSETTS	PRINTED CIRCUIT REV.	E	REV. E

NUMBER G631-O-1
 REV. E
 SIZE CODE C CS

THIS SCHEMATIC IS FURNISHED ONLY FOR TEST AND MAINTENANCE PURPOSES. THE CIRCUITS ARE PROPRIETARY IN NATURE AND SHOULD BE TREATED ACCORDINGLY. COPYRIGHT 1971 BY DIGITAL EQUIPMENT CORPORATION



49	9008337-01	HANDLE, FLIP CHIP - GREEN	2
48	9006732	EYELET #GS 4-7	4
47	1910553	I.C. DEC1074H74	3
46	1909234	I.C. DEC 741	1
45	1905620	I.C. DEC 710	1
44	1910462	I.C. DEC1074H00	1
43	1509338	TRANSISTOR DEC 6531	1
42	1509233	TRANSISTOR 2N5163	1
41	1503409-00	TRANSISTOR DEC 6534D	5
40	1503100	TRANSISTOR DEC 3009B	11
39	1502762-00	TRANSISTOR DEC 3639B	6
38	1309150-03	RES. 1K, 1/4W, 20% POT	1

37	1305515	RES. 64K, 1/8W, .1% MF	1
36	1305514	RES. 32K, 1/8W, .1% MF	1
35	1305450	RES. 1K, POT	1
34	1305256	RES. 8K, 1/8W, .1% MF	3
33	1305254	RES. 4K, 1/8W, .1% MF	1
32	1305233	RES. 2K, 1/8W, .1% MF	1
31	1304865	RES. 1K, 1/8W, .1% MF	1
30	1301422	RES. 7.5K 1/4W, 5%	1
29	1302466	RES. 100K, 1/4W, 5%	3
28	1302388	RES. 2K, 1/4W, 5%	1
27	1301401	RES. 750, 1/4W, 5%	3
26	1300496	RES. 15K, 1/4W, 5%	6
25	1300479	RES. 10K, 1/4W, 5%	5
24	1300447	RES. 4.7K, 1/4W, 5%	6
23	1300444	RES. 3.9K, 1/4W, 5%	1
22	1300432	RES. 3K, 1/4W, 5%	7
21	1300406	RES. 2.7K, 1/4W, 5%	1
20	1300391	RES. 1.5K, 1/4W, 5%	1
19	1300345	RES. 1K, 1/4W, 5%	10
18	1300296	RES. 330, 1/4W, 5%	1
17	1300271	RES. 220, 1/4W, 5%	1
16	1300202	RES. 47, 1/4W, 5%	1
15	1103441	DIODE 1N756A 0.2V	3
14	1100122	DIODE 1N748A 3.9V	1
13	1100114	DIODE D6C4	20
12	1100113	DIODE D6G2	4
11	1100102	DIODE 1/4M 6.8 AZ5 6.8V 5%	1
10	1004813	CAP. 10UF, 20V, 10% S. TANT	2
9	1001776	CAP. 1UF, 35V, 10% S. TANT	1
8	1001610	CAP. .01UF, 100V, 20% DISC	13
7	1000076	CAP. 39UF, 10V, 10% S. TANT	2
6	1000015	CAP. 82PF, 100V, 5% D.M.	1
5	1000011	CAP. 47PF, 100V, 5% D.M.	6
4	5009382	ETCHED CIRCUIT BOARD	1
3	B-MH-0831-0-6.	MODULE ECO HISTORY	
2	D-AH-0831-0-5	ASSY/DRILLING HOLE LAYOUT	
1	K-CO-0831-0-4	X-Y COORDINATE HOLE LOCATION	
ITEM NO.	DEC PART NO.	DESCRIPTION	QTY.
		PARTS LIST	C

REVISIONS	DATE	BY
1	10/20/71	J. DREW
2	11/10/71	J. DREW
3	11/10/71	J. DREW

DRM: *Wally Moore*
 CKD: *Wally Moore*
 DATE: *11/10/71*
 DATE: *11/10/71*
 DATE: *11/10/71*
 DATE: *11/10/71*

TRANSISTOR & DIODE CONVERSION CHART			
DEC	EIA	DEC	EIA

digital EQUIPMENT CORPORATION
 TITLE: 6-BIT D/A COMPARATOR & SWITCH
 SHEET 1 OF 2
 SIZE: C CS G831-0-1
 NUMBER: E
 PRINTED CIRCUIT REV. E

MODULE NUMBER G831-0-1