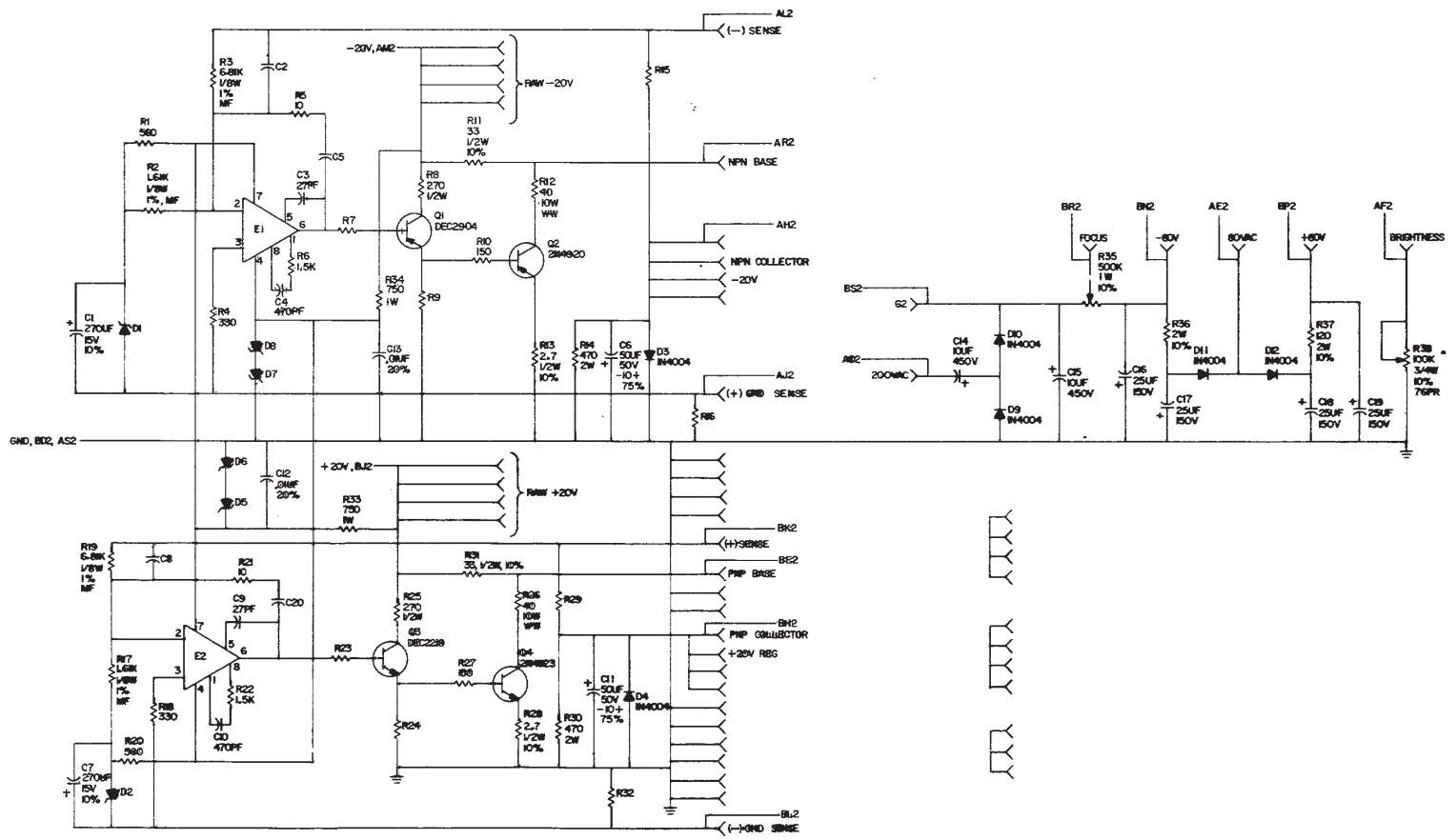


THIS SCHEMATIC IS FOR REFERENCE ONLY FOR TEST AND MAINTENANCE PURPOSES. THE CIRCUITS ARE IDENTIFIED BY NAMELINE AND SHOULD BE TREATED ACCORDINGLY. CORRECTIONS SHOULD BE OBTAINED FROM THE EQUIPMENT CONTRACTOR.



UNLESS OTHERWISE INDICATED:
 RESISTORS ARE 1K, 1/4W, 5%
 DIODES ARE IN752A, 5.6V
 CAPACITORS ARE 1000PF, 100V, 5%
 E1, E2 ARE DECTUSC
 —•— EYELETS

REVISIONS		APPROVED & CHECKED		DATE	
1	INITIALS	1	INITIALS	1	DATE
2	INITIALS	2	INITIALS	2	DATE
3	INITIALS	3	INITIALS	3	DATE
4	INITIALS	4	INITIALS	4	DATE
5	INITIALS	5	INITIALS	5	DATE

TITLE		VR-4 POWER SUPPLY AND REGULATOR BD 6836	
EQUIPMENT NAME		VR-4 POWER SUPPLY AND REGULATOR	
DRAWN BY		CS	
CHECKED BY		CS	
DATE		6836-0-1	
SCALE		A	

100-11-0131-0-1
 100-11-0131-0-1
 100-11-0131-0-1