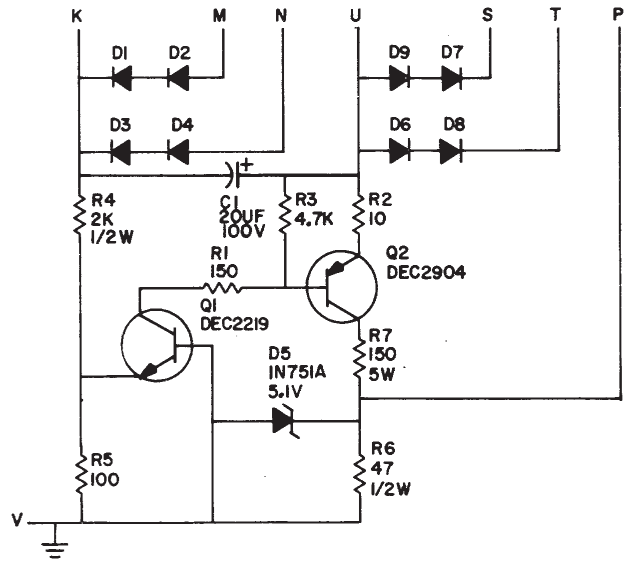


THIS SCHEMATIC IS FURNISHED ONLY FOR TEST AND MAINTENANCE PURPOSES. THE CIRCUITS ARE PROPRIETARY IN NATURE AND SHOULD BE TREATED ACCORDINGLY. COPYRIGHT 1970 BY DIGITAL EQUIPMENT CORPORATION



UNLESS OTHERWISE INDICATED:

RESISTORS = 1/4W, 5%
 DIODES = IN4004

| | |
|----------------------------------|--|
| REVISIONS CHK CHG NO. REV | |
| | |
| | |
| | |

| | |
|----------------------------|--------------------------|
| DRN. <i>NANCY MOORE</i> | DATE <i>12/18/70</i> |
| CHK'D <i>Drew</i> | DATE <i>23 DEC 70</i> |
| ENG <i>3 Jolan</i> | DATE <i>2 29 71</i> |
| PROD. | DATE |

| TRANSISTOR & DIODE CONVERSION CHART | | | |
|-------------------------------------|--------|---------|--------|
| DEC | EIA | DEC | EIA |
| IN4004 | SAME | IN751A | SAME |
| DEC2904 | 2N1132 | DEC2219 | 2N2219 |
| | | | |
| | | | |

digital
 EQUIPMENT CORPORATION
 MAYNARD, MASSACHUSETTS

| | | | |
|--------------------------------------|------------|--------------------|------|
| TITLE FAULT PROTECTION BOARD G838 | | | |
| SIZE B | CODE CS | NUMBER G838-0-1 | REV. |
| PRINTED CIRCUIT REV. | | | A |

PINK BLUE