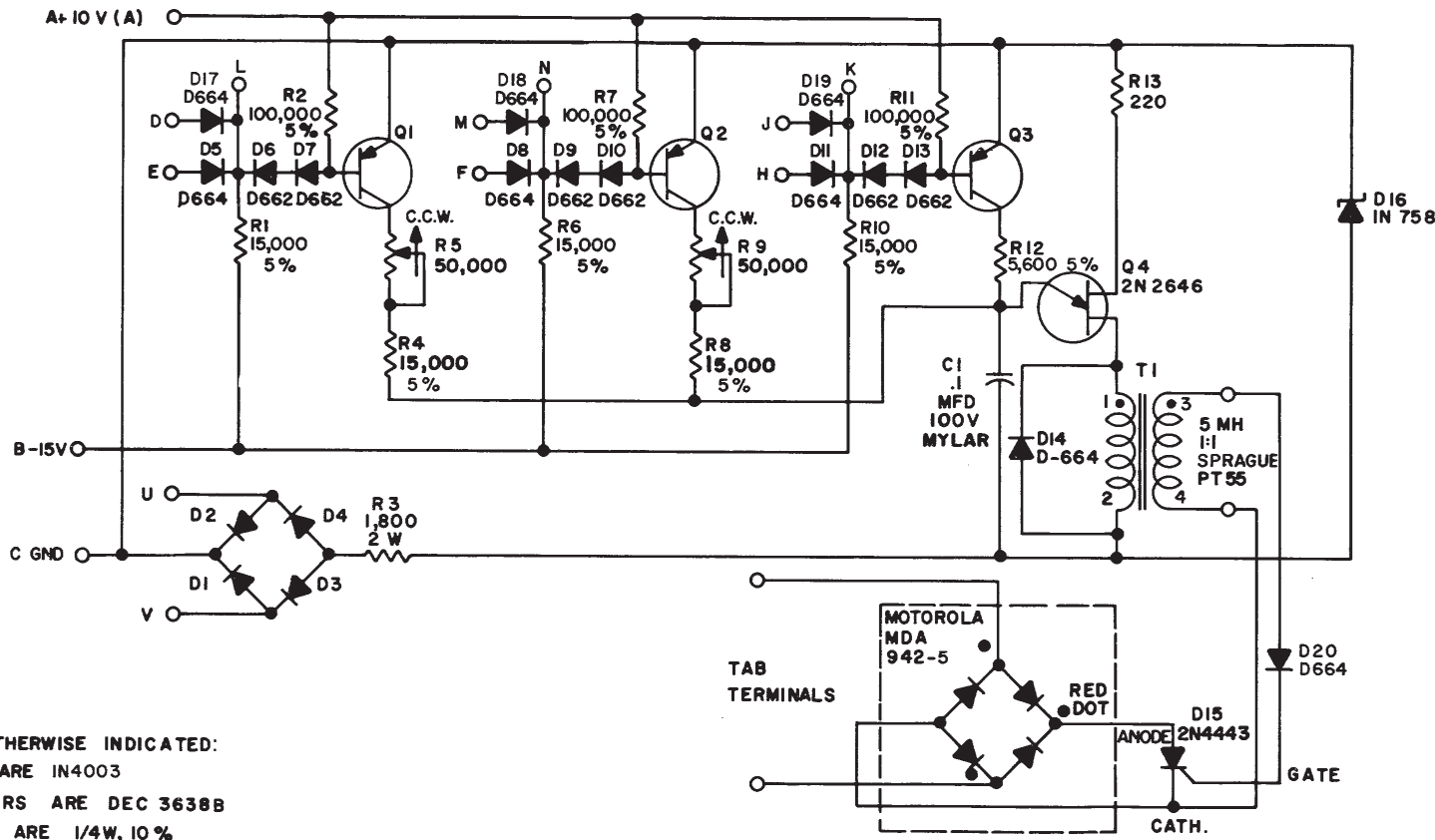


REV. P  
 NUMBER 6850-0-1  
 SIZE B  
 CODE CS

THIS SCHEMATIC IS FURNISHED ONLY FOR TEST AND MAINTENANCE PURPOSES. THE CIRCUITS ARE PROPRIETARY IN NATURE AND SHOULD BE TREATED ACCORDINGLY. COPYRIGHT 1965 BY DIGITAL EQUIPMENT CORPORATION



UNLESS OTHERWISE INDICATED:  
 DIODES ARE IN4003  
 TRANSISTORS ARE DEC 3638B  
 RESISTORS ARE 1/4W, 10%  
 R5 & R9 ARE #275P

← A B C D E F G H I J K L M N O P Q R S T U V W X Y Z →

REV. NO.	CHK	CHG	NO.	REV.
3	5266			
D	5398			
E	5420			
F	5806			
H	5800			
J	6365			
L	6469			
M	6818			
N	7100			
P	100001			

DRN. I. HAHN	DATE 5-3-65
CHK'D R. SILVERMAN	DATE 5-14-65
ENG. D. WARDIMON	DATE 5-13-65
PROD. D. WARDIMON	DATE 5-13-65

TRANSISTOR & DIODE CONVERSION CHART			
DEC		EIA	
DEC 3638	2N3638	IN758	IN756
2N2646	2N2646	2N4443	SAME
D662	IN645		
D664	IN3606		
IN4003	IN4003		

**digital**  
 EQUIPMENT CORPORATION  
 MAYNARD, MASSACHUSETTS

TITLE S.C.R.		NUMBER		REV. P
MOTOR DRIVER G850		G850-0-1		
SIZE B	CODE CS	PRINTED CIRCUIT REV.		EHJKL

↑ PINK 5 DIST. 324 434 435