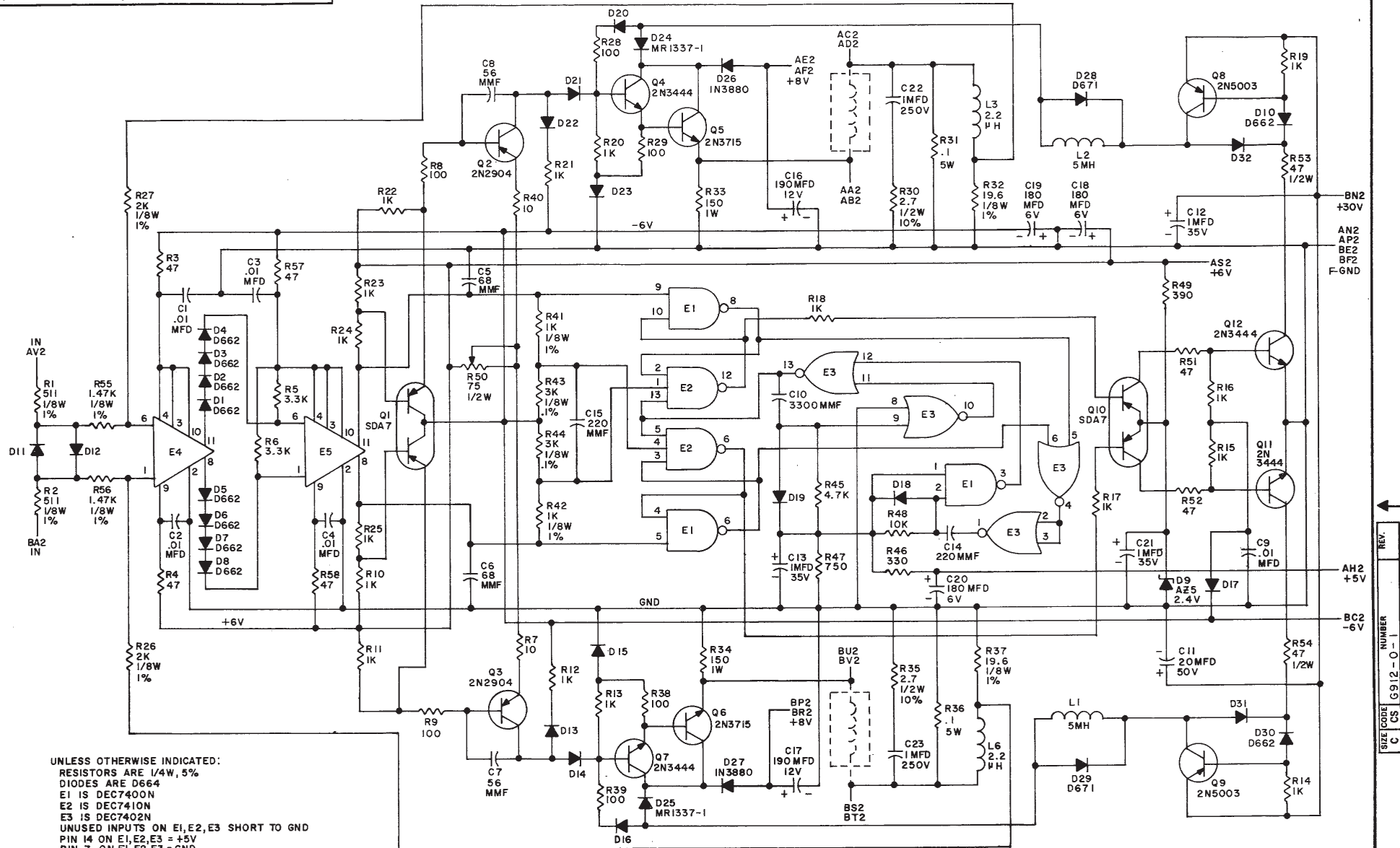


THIS SCHEMATIC IS FURNISHED ONLY FOR TEST AND MAINTENANCE PURPOSES. THE CIRCUITS ARE PROPRIETARY IN NATURE AND SHOULD BE TREATED ACCORDINGLY. COPYRIGHT 1969 BY DIGITAL EQUIPMENT CORPORATION



UNLESS OTHERWISE INDICATED:
 RESISTORS ARE 1/4W, 5%
 DIODES ARE D664
 E1 IS DEC7400N
 E2 IS DEC7410N
 E3 IS DEC7402N
 UNUSED INPUTS ON E1, E2, E3 SHORT TO GND
 PIN 14 ON E1, E2, E3 = +5V
 PIN 7 ON E1, E2, E3 = GND
 E4, E5 ARE CA3001
 DEFLECTION YOKE IS SHOWN DOTTED
 PINS AE2, AF2 ARE CONNECTED TO BP2, BR2
 WHEN BOARD IS PLUGGED INTO UNIT

REV. NO.	REV.
CHK	CHG

DRN.	M. Miller	DATE	6-10-69
CHK'D		DATE	6-17-69
ENG.		DATE	8-7-69
PROD.		DATE	8-7-69

TRANSISTOR & DIODE CONVERSION CHART		2N2904		SAME	
DEC	EIA	DEC	EIA	DEC	EIA
D662	1N645	2N3715	NONE		
D664	1N3606	SDA7	SAME		
D671	1N3653	2N3444	NONE		
D671	IN3880	2N5003	NONE		
MR1337-1	NONE	AZ5 2.4V	NONE		

digital EQUIPMENT CORPORATION
 MAYNARD, MASSACHUSETTS

TITLE: DEFLECTION AMPLIFIER
 G912

SIZE: C CS NUMBER: G912-0-1 REV.:

PRINTED CIRCUIT REV. B

DEC FORM NO. DRC 102

5 DIST. 324, 434, 435-3 D.111