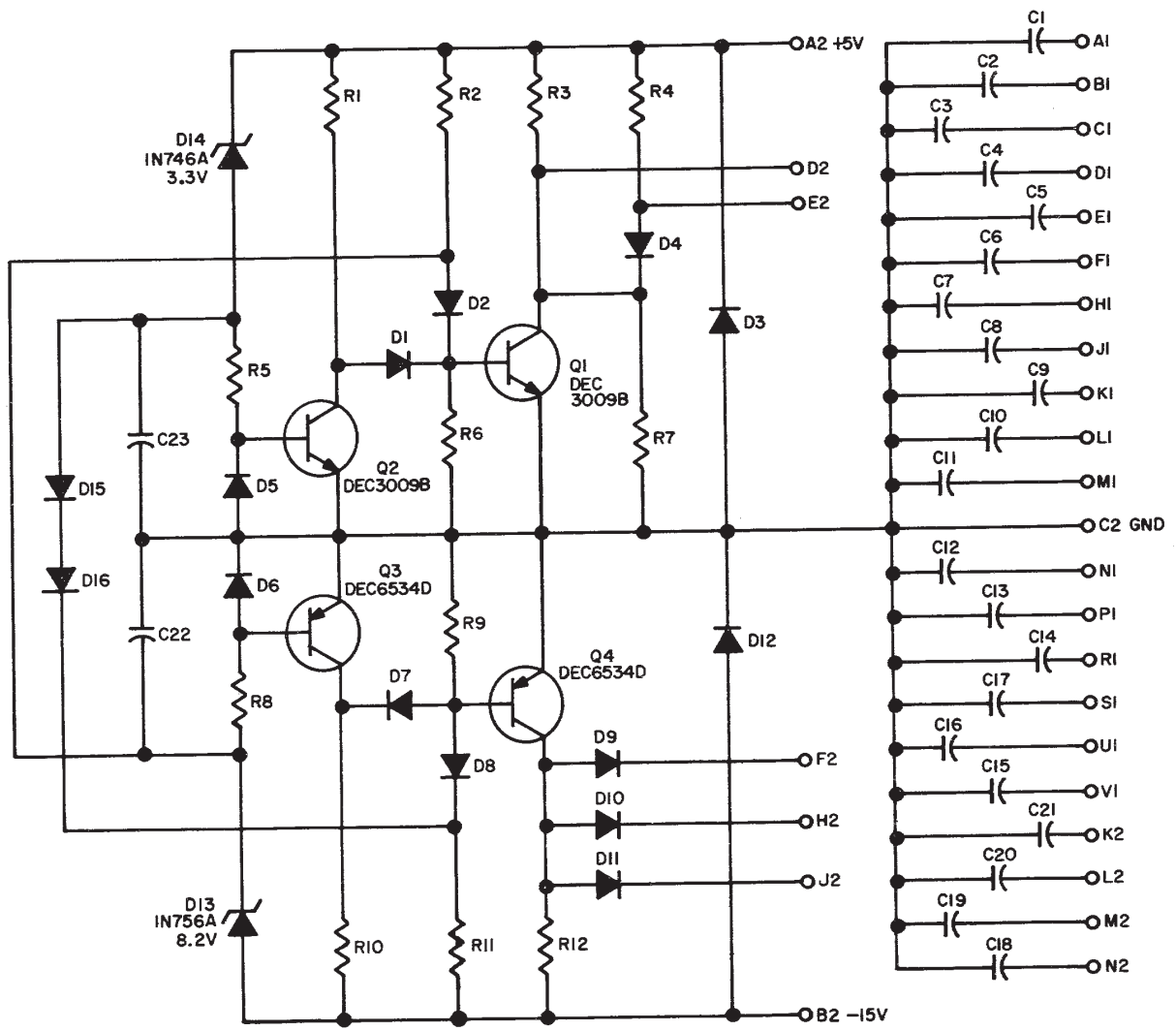


THIS SCHEMATIC IS FURNISHED ONLY FOR TEST AND MAINTENANCE PURPOSES. THE CIRCUITS ARE PROPRIETARY IN NATURE AND SHOULD BE TREATED ACCORDINGLY. COPYRIGHT 1969 BY DIGITAL EQUIPMENT CORPORATION



UNLESS OTHERWISE INDICATED:  
 DIODES ARE D664  
 CAPACITORS ARE .01MFD  
 RESISTORS ARE 2K, 1/4W, 5%

REVISIONS CHK   CHG NO.   REV.	DRN. BUTLER	DATE 4/25/69	TRANSISTOR & DIODE CONVERSION CHART				 EQUIPMENT CORPORATION MAYNARD, MASSACHUSETTS	TITLE POWER DETECTOR AND SWITCH FILTER G916			
	CHK'D M. Marchand	DATE 5-5-69	DEC	EIA	DEC	EIA		SIZE B	CODE CS	NUMBER G916-0-1	REV.
	ENG. R. Schwefer	DATE 6/16/69	DEC3009B	2N3009B							
	PRD. R. Schwefer	DATE 6/16/69	DEC6534D	MPS6534							
			D664	IN3606							

5 DIST 324,434,435 3 PINK