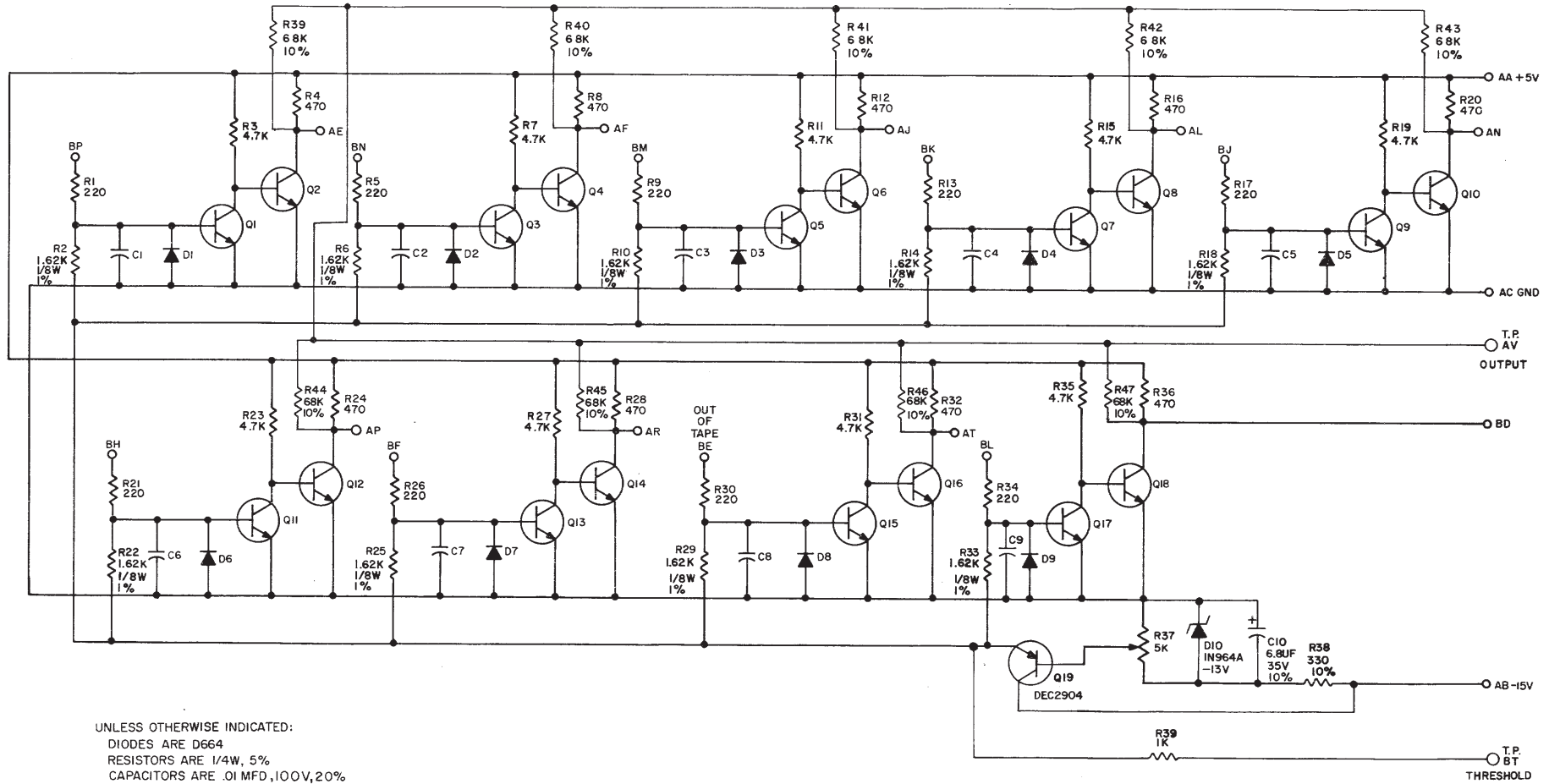


THIS SCHEMATIC IS FURNISHED ONLY FOR TEST AND MAINTENANCE PURPOSES. THE CIRCUITS ARE PROPRIETARY IN NATURE AND SHOULD BE TREATED ACCORDINGLY. COPYRIGHT 1969 BY DIGITAL EQUIPMENT CORPORATION



UNLESS OTHERWISE INDICATED:
 DIODES ARE D664
 RESISTORS ARE 1/4W, 5%
 CAPACITORS ARE .01 MFD, 100V, 20%
 TRANSISTORS ARE 2N3646
 ○ INDICATES TEST POINT

REV. B
 NUMBER G918-0-1
 SIZE CODE C CS

REV.	CHG NO.	REV.
00001	A	
00002		
00003	B	

DRN	REBULEA	DATE	4/1/69
CHK'D	<i>A. Young</i>	DATE	4/2/69
ENG	<i>R. At-1</i>	DATE	6/1/69
PROD.		DATE	

TRANSISTOR & DIODE CONVERSION CHART			
DEC	EIA	DEC	EIA
2N3646	2N3009	1N964A-13V	SAME
D664	1N3606	DEC2904	2N1132

digital
 EQUIPMENT CORPORATION
 MAYNARD, MASSACHUSETTS

TITLE PHOTO TRANSISTOR AMPLIFIER G918			
SIZE	CODE	NUMBER	REV.
C	CS	G918-0-1	B
PRINTED CIRCUIT REV.			D