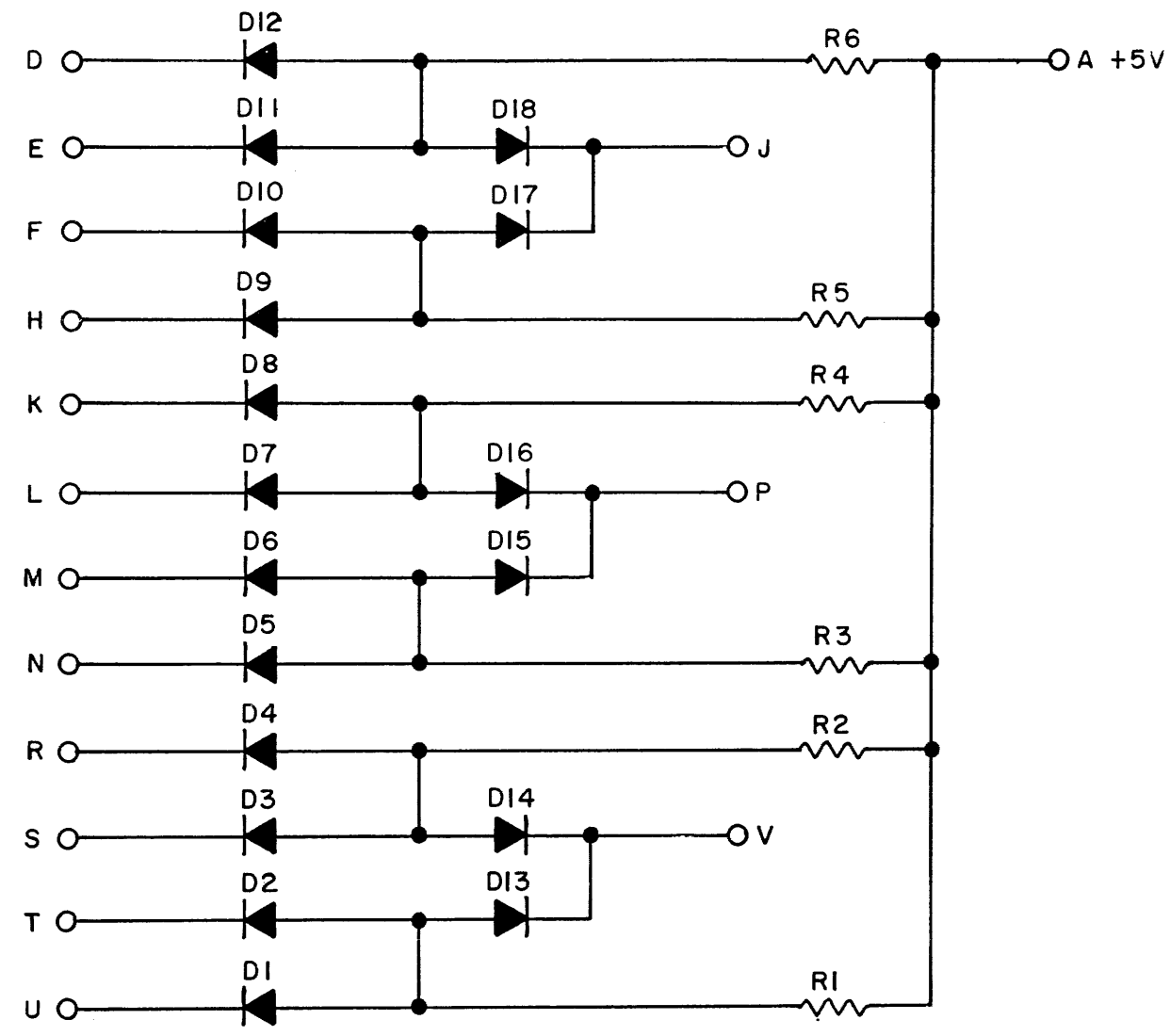


THIS SCHEMATIC IS FURNISHED ONLY FOR TEST AND MAINTENANCE PURPOSES. THE CIRCUITS ARE PROPRIETARY IN NATURE AND SHOULD BE TREATED ACCORDINGLY. COPYRIGHT 1968 BY DIGITAL EQUIPMENT CORPORATION



-----  
 <----->

R1 - R6	RES. 4.7K 1/4W 10% CC	1300448
D1 - D18	DIODE D600	1105366
	PARTS LIST	A-PL-K026-0-0
REFERENCE DESIGNATION	DESCRIPTION	PART NO.

REVISIONS CHK CHG NO. REV.	DRN. <i>M. Waller</i>	DATE 5-2-68	TRANSISTOR & DIODE CONVERSION CHART				 EQUIPMENT CORPORATION MAYNARD, MASSACHUSETTS	TITLE GATE EXPANDER K026			
	CHK'D	DATE	DEC	EIA	DEC	EIA		SIZE B	CODE CS	NUMBER K026-0-1	REV.
	ENG. <i>R. P. ...</i>	DATE 5/1/68	D600	IN4009				PRINTED CIRCUIT REV.	A		
	PROD.	DATE									