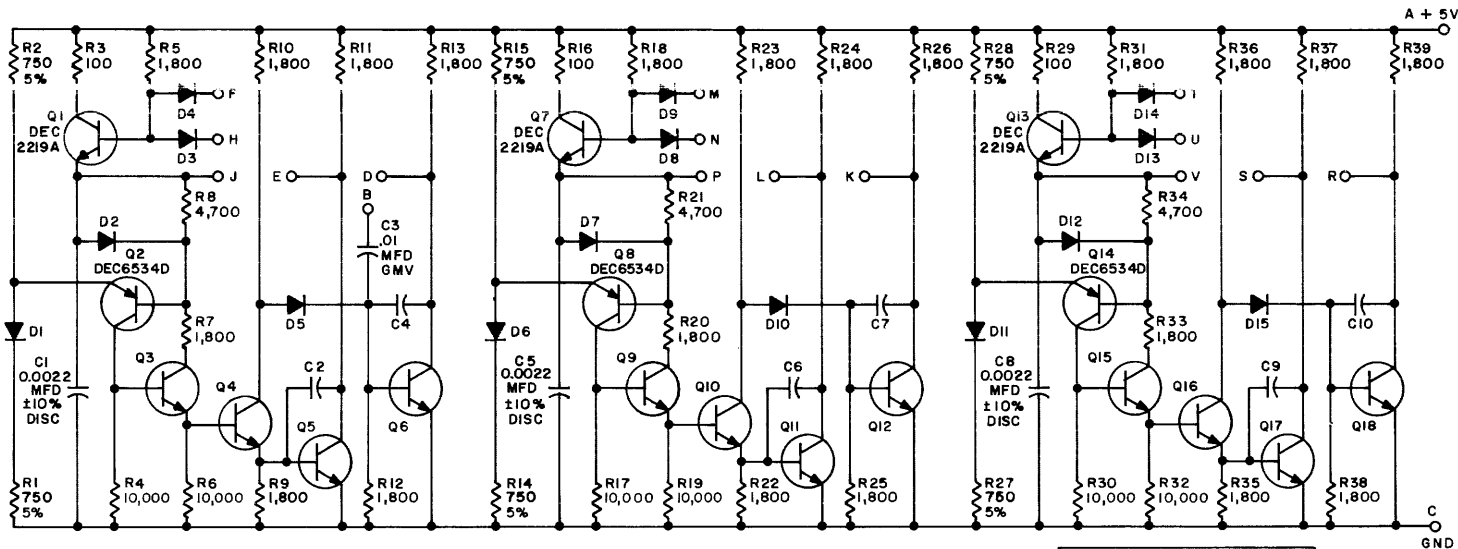
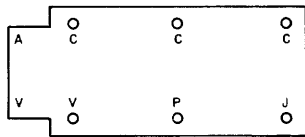


THIS SCHEMATIC IS FURNISHED ONLY FOR TEST AND MAINTENANCE PURPOSES. THE CIRCUITS ARE PROPRIETARY IN NATURE AND SHOULD BE TREATED ACCORDINGLY. COPYRIGHT 1967 BY DIGITAL EQUIPMENT CORPORATION.



UNLESS OTHERWISE INDICATED:
 TRANSISTORS ARE DECI
 DIODES ARE D600
 RESISTORS ARE 1/4W, 10%
 CAPACITORS ARE 680 MMFD $\pm 10\%$
 ERIE 309 OR EQUIV.

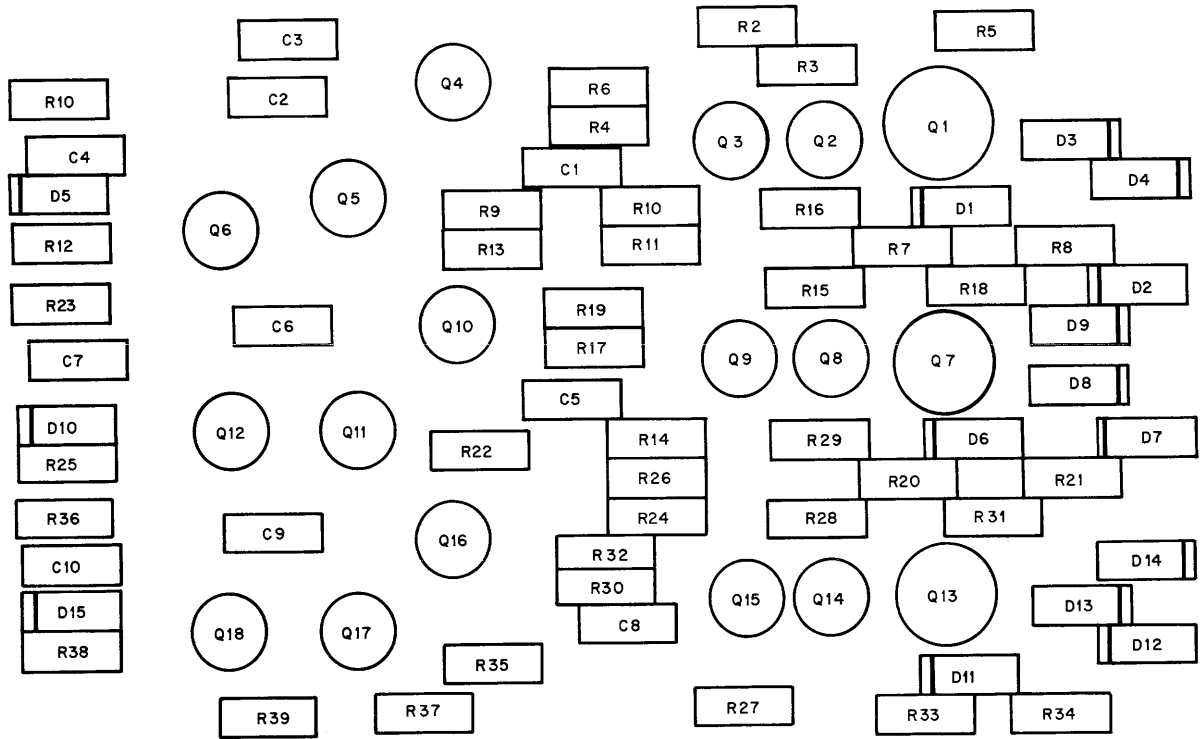
PARTS LIST IS A-PL-K303-0-0



VIEWED FROM ETCHED SIDE

REVISIONS CHK/CHG NO. REV 1/ 6437 B 100001 C	DRN <i>P. Ballen</i>	DATE 4-19-67	TRANSISTOR & DIODE CONVERSION CHART		TITLE THREE TIMERS K303 SIZE B CODE CS NUMBER K303-0-1 REV C PRINTED CIRCUIT REV B
	CHK'D <i>L. Johnson</i>	DATE 10/6/67	DEC	EIA	
	ENG <i>R. Jones</i>	DATE 4/27/67	DEC1	2N3721	
	PROD.	DATE	DEC6534D	MP96534	
			D600	IN4009	
			DEC2219A	2N2219	

digital
 EQUIPMENT
 CORPORATION
 MAYNARD, MASSACHUSETTS



K 303