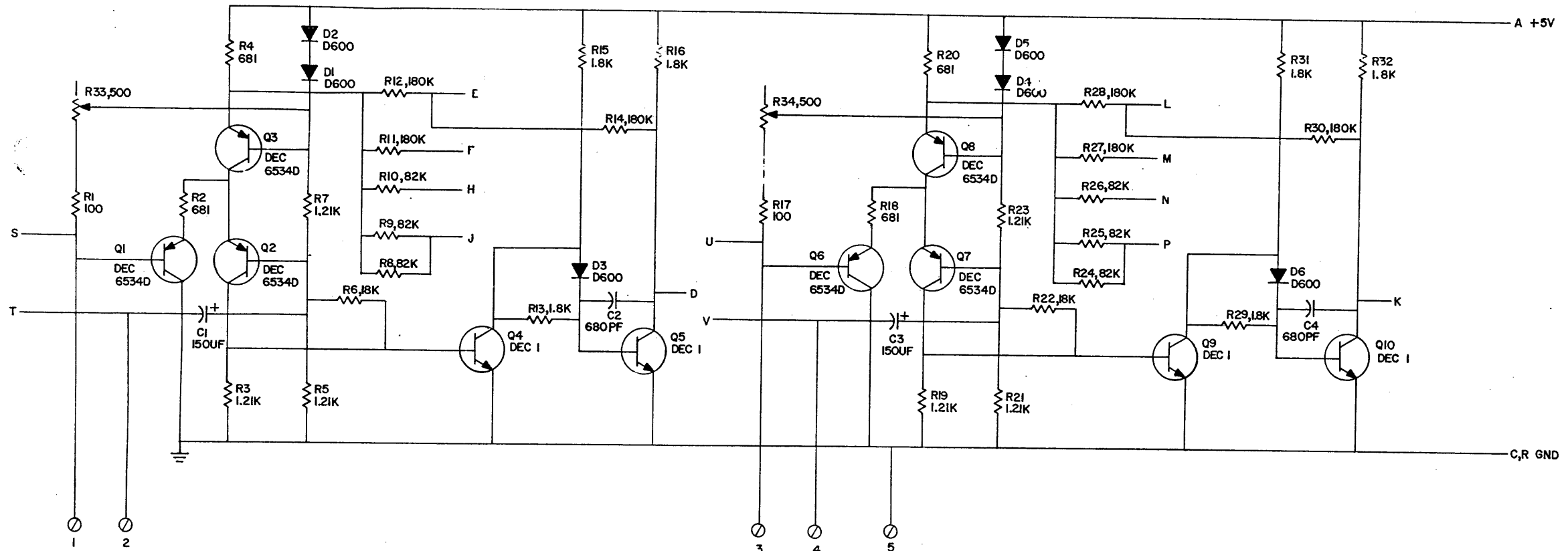
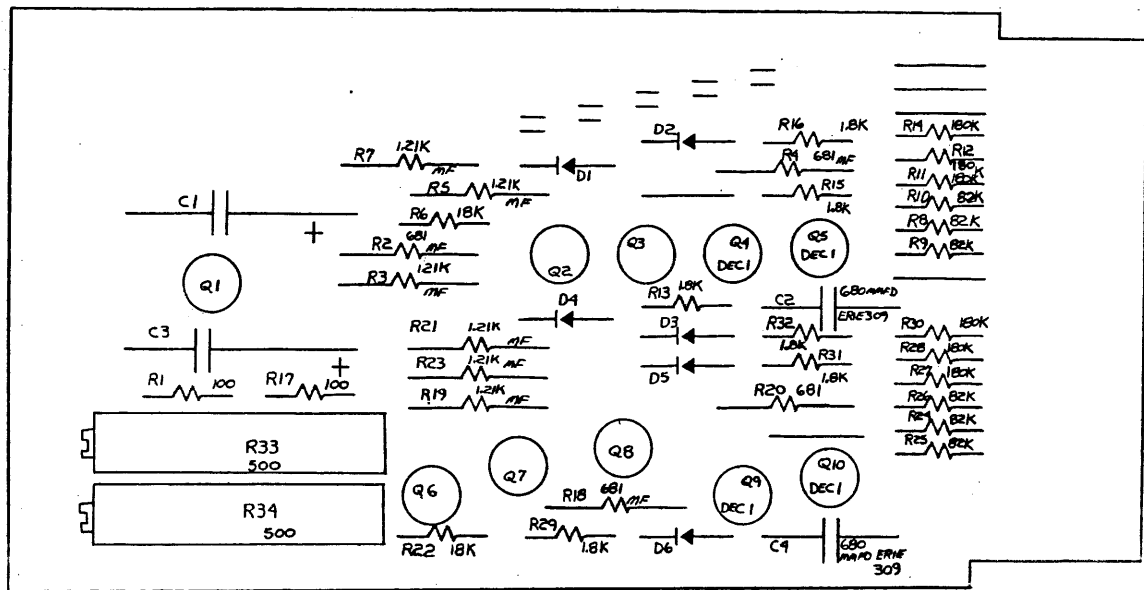


THIS SCHEMATIC IS FURNISHED ONLY FOR TEST AND MAINTENANCE PURPOSES. THE CIRCUITS ARE PROPRIETARY IN NATURE AND SHOULD BE TREATED ACCORDINGLY. COPYRIGHT 1971 BY DIGITAL EQUIPMENT CORPORATION



NOTE:  
USES ETCH OF K522



QTY	REF. DESIGNATION	PARTS LIST	DEC. PART NO.
1		HANDLE FLIP CHIP BLACK	9008337-07
5		SPLIT LUGS	9007268
2		EYELETS #934-7 E.B. STIMPSON	9006732
4	Q4, Q5, Q9, Q10	TRANSISTOR DEC1	1505369
6	Q1-Q3, Q6-Q8	TRANSISTOR DEC6534D	1503409
2	R33, R34	RES. 500 TRIMPOT	1305631
4	R2, R4, R18, R20	RES. 681 1/8W 1% 100MFP	1302872
6	R3, R5, R7, R19, R21, R23	RES. 1.21K 1/8W 1% 100MFP	1302873
6	R11, R12, R14, R27, R28, R30	RES. 180K 1/4W 10%	1301431
6	R13, R15, R16, R29, R31, R32	RES. 1.8K 1/4W 10%	1301428
6	R8-R10, R24-R26	RES. 82K 1/4W 10%	1300529
2	R6, R22	RES. 18K 1/4W 10%	1300498
2	R1, R17	RES. 100 1/4W 10%	1300231
6	D1-D6	DIODE D600	1305346
2	C2, C4	CAP. 680 PF 500V 10% CERAM	1005726
2	C1, C3	CAP. 150 MFD 6V 20% TANT.	1005572
1		ETCHED CIRCUIT BOARD	5008136
		MODULE ECO HISTORY	B-W-K522-YA-6
		ASSY/DRILLING HOLE LAYOUT	C-AH-K522-YA-5
		X-Y COORDINATE HOLE LOCATION	K-CO-K522-YA-4

REVISIONS  
CHK/CHG NO. REV.

DRN. 8.1  
CHK'D N.A. Key  
ENG. 12  
PROD.

TRANSISTOR & DIODE CONVERSION CHART			
DEC	EIA	DEC	EIA
D600	1N4009		
DEC1	2N3721		
DEC6534D	MPS6534		

**digital** EQUIPMENT CORPORATION  
MAYNARD, MASSACHUSETTS

TITLE: **COMPARATOR**

SIZE: C CS  
NUMBER: K522-YA-1  
REV. 1

PRINTED CIRCUIT REV. A