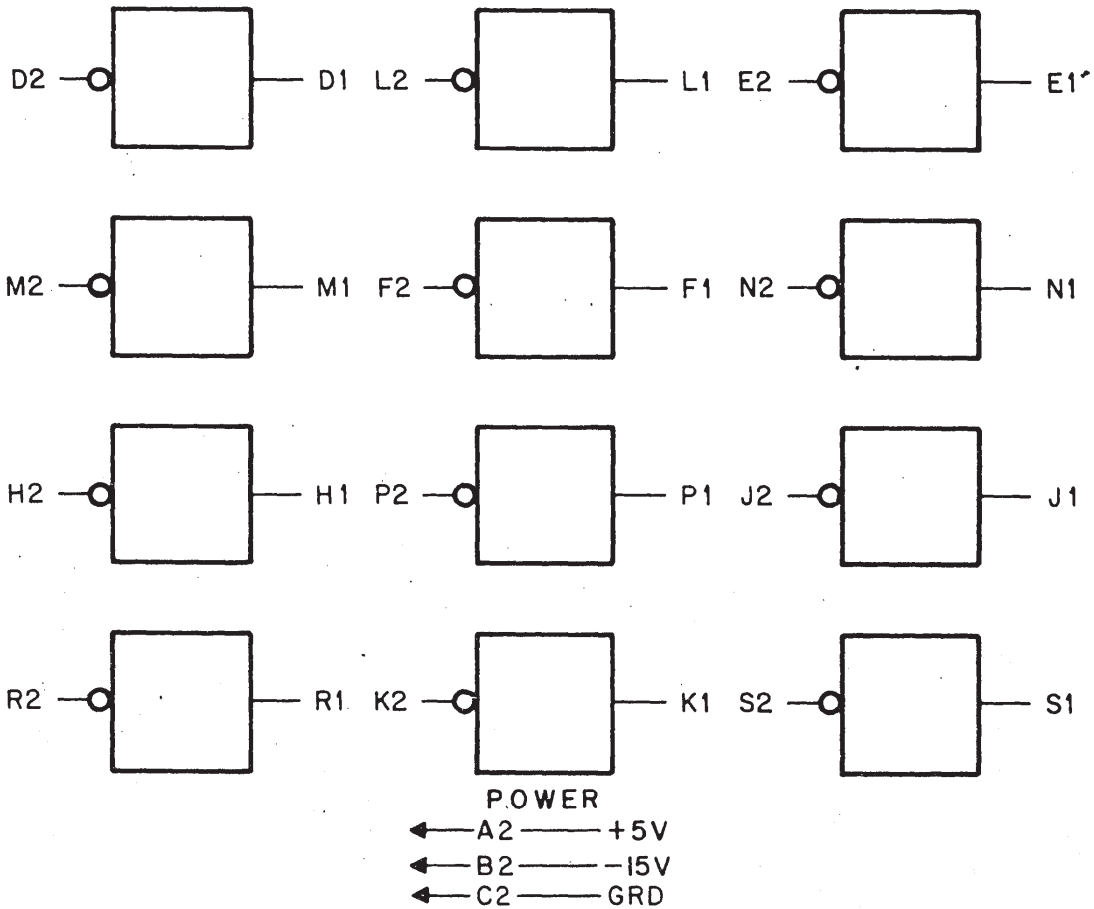


**LEVEL CONVERTER
M051**

**M
SERIES**



The M051 contains twelve level converters that can be used to shift M and K Series logic levels to negative logic levels of ground and -3 volts. A grounded input on the driver generates a grounded output.

Inputs: Each input presents two TTL unit loads.

Outputs: The output consists of an open collector PNP transistor and can drive 20 ma. to ground —6V maximum may be applied to the output.

Power: +5V at 47 ma. (max.); -15V at 16 ma. (max.)

M051—\$31