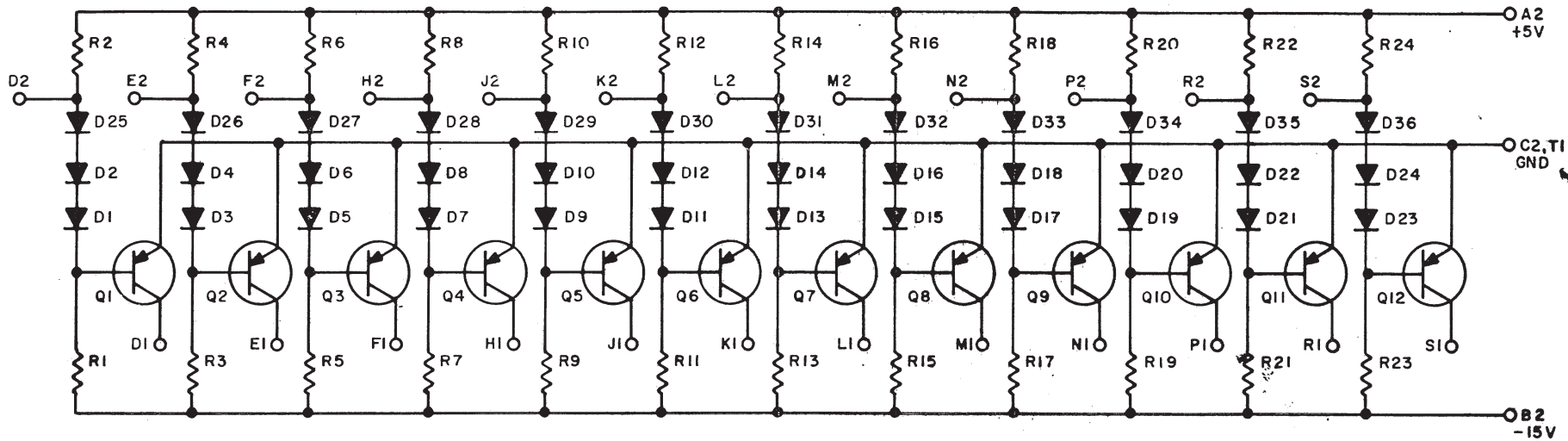


THIS SCHEMATIC IS FURNISHED ONLY FOR TEST AND MAINTENANCE PURPOSES. THE CIRCUITS ARE PROPRIETARY IN NATURE AND SHOULD BE TREATED ACCORDINGLY. COPYRIGHT 1968 BY DIGITAL EQUIPMENT CORPORATION



Q1 - Q12	TRANSISTOR DEC3639B	1502762
R20, R22, R24	RES. 1.5K 1/4W 5% CC	1300391
R2, R4, R6, R8, R10, R12, R14, R16, R18	RES. 15K 1/4W 5% CC	1300496
R21, R23	RES. 15K 1/4W 5% CC	1300496
D1 - D36	DIODE D664	1100114
	PARTS LIST	A PL-M050-0-0
REFERENCE DESIGNATION	DESCRIPTION	PART NO.

PARTS LIST			
DRN <i>M. Keller</i>		DATE 10-23-68	
CHK'D <i>M. Keller</i>		DATE 10-28-68	
ENG. <i>S. Conner</i>		DATE 12/1/68	
PROD		DATE	
TRANSISTOR & DIODE CONVERSION CHART			
DEC	EIA	DEC	EIA
DEC3639B	2N3639		
D664	1N3606		
digital		EQUIPMENT CORPORATION	
MAYNARD, MASSACHUSETTS		TITLE LEVEL CONVERTER M051	
SIZE B	CODE CS	NUMBER M051-0-1	REV.
PRINTED CIRCUIT REV			A

REVISIONS
CHK/CHG NO/REV